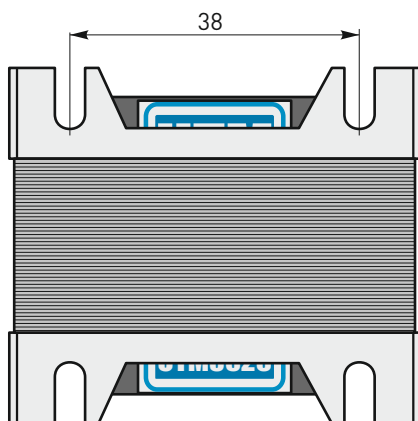
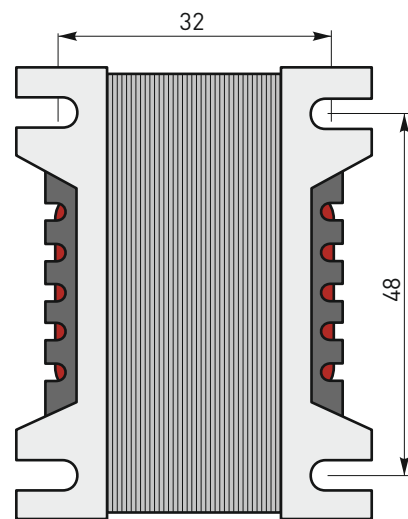
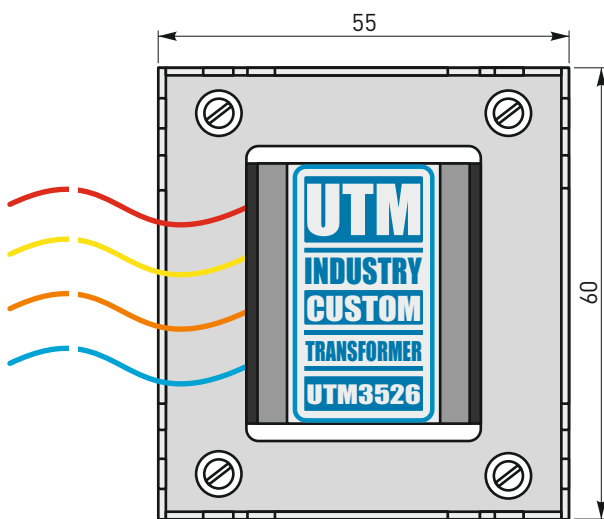
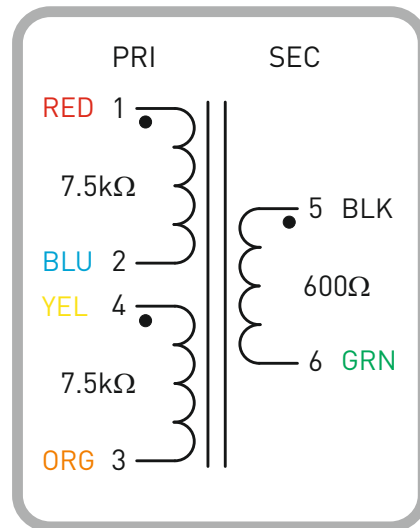
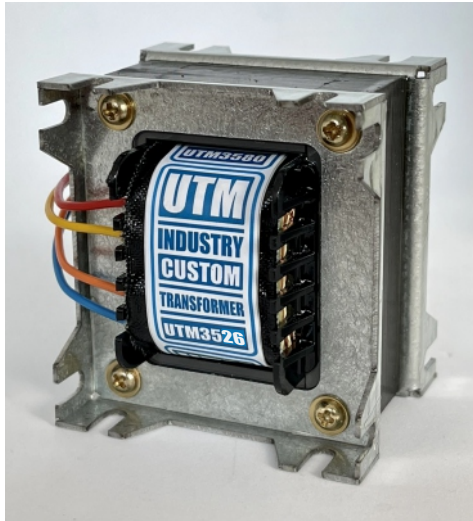


UTM INDUSTRY

Professional Audio Transformers

15kCT:600
Tube Output



Audio transformer for Push-Pull output stage
Ratio: 5:1

Impedance: 15kCT : 600Ω

DC Resistance: (380Ω+380Ω) : 22Ω

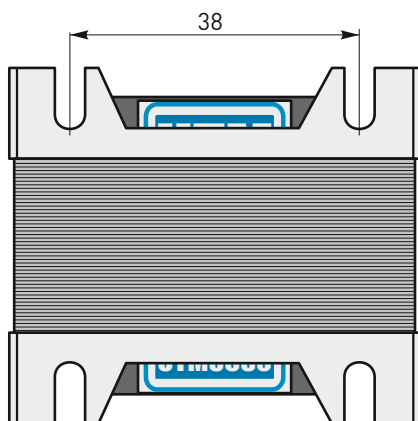
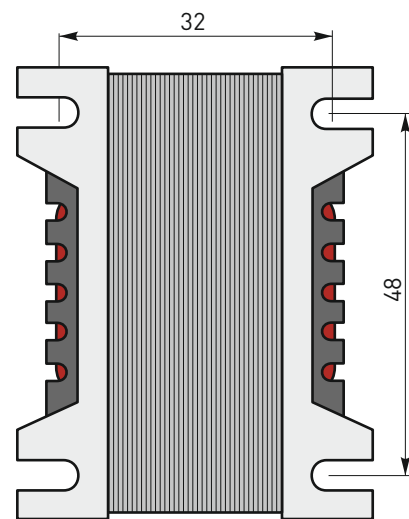
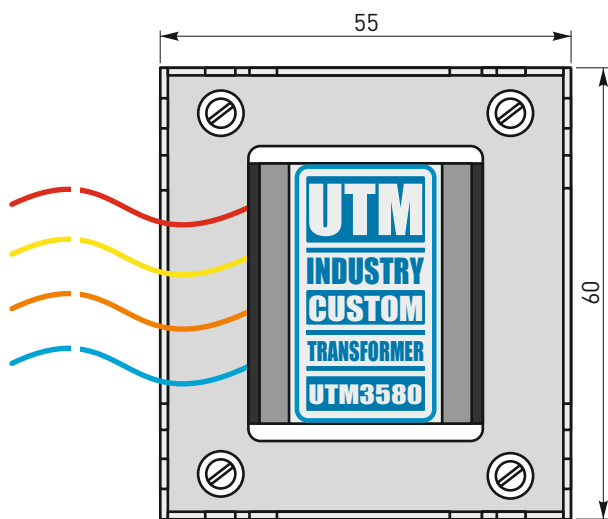
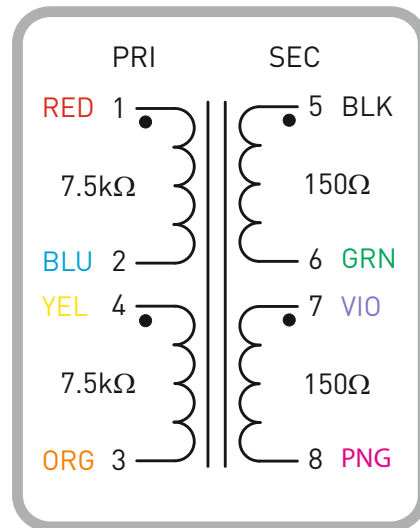
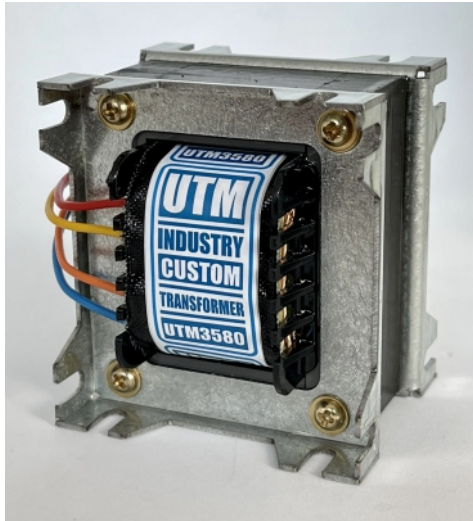
Fitted with 150 mm flying leads

Ungapped. Open frame package.

UTM INDUSTRY

Professional Audio Transformers

15kCT:150
Tube Output



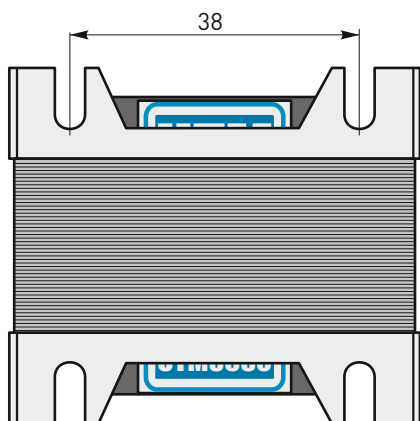
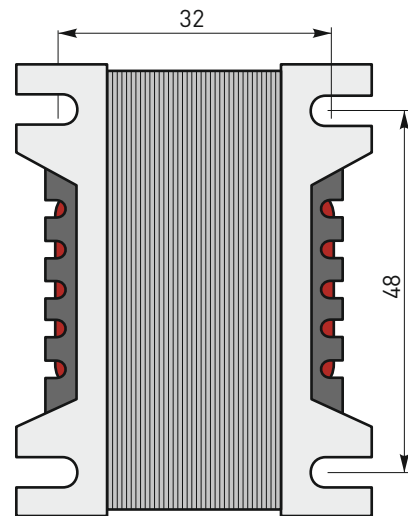
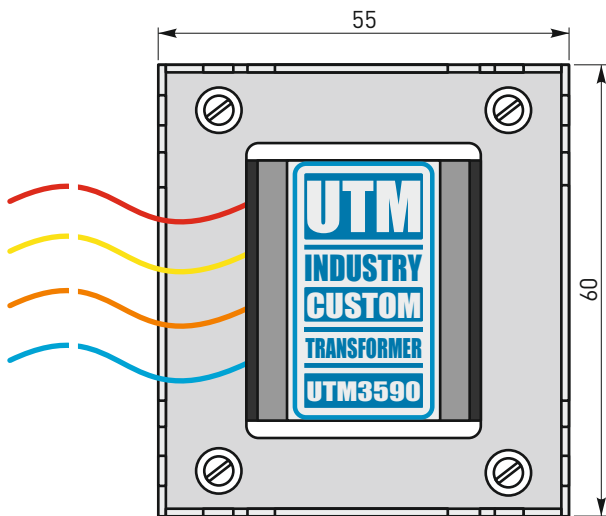
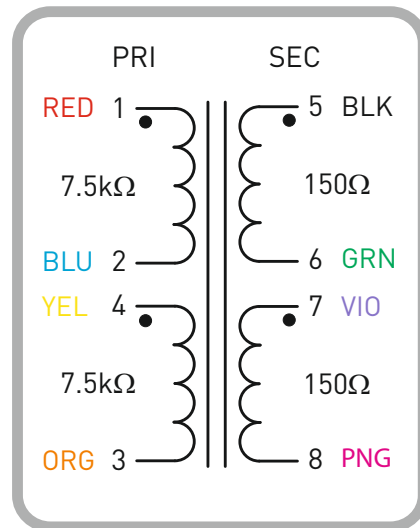
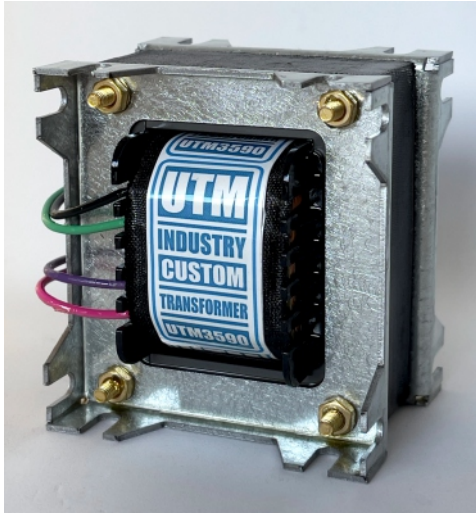
Audio transformer for Push-Pull output stage
Ratio: 5:1, 10:1

Impedance: 15kCT : 600 Ω , 15kCT : 150 Ω

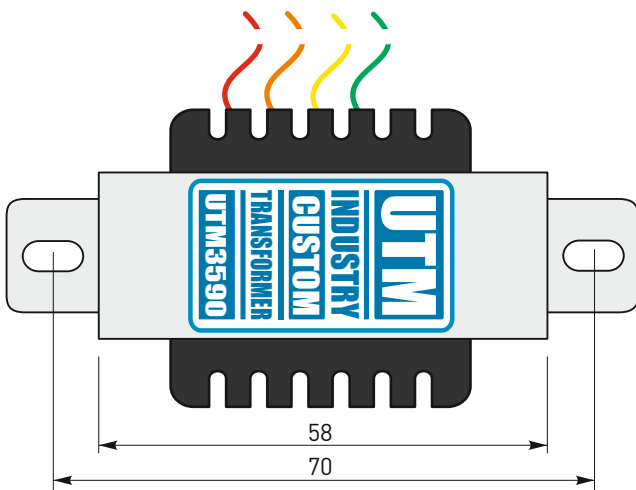
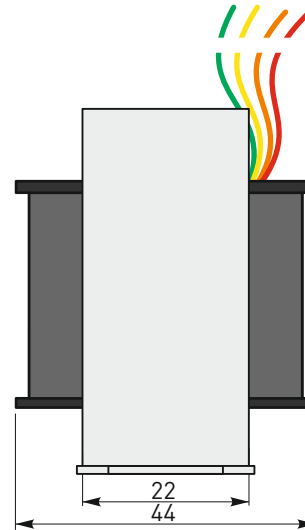
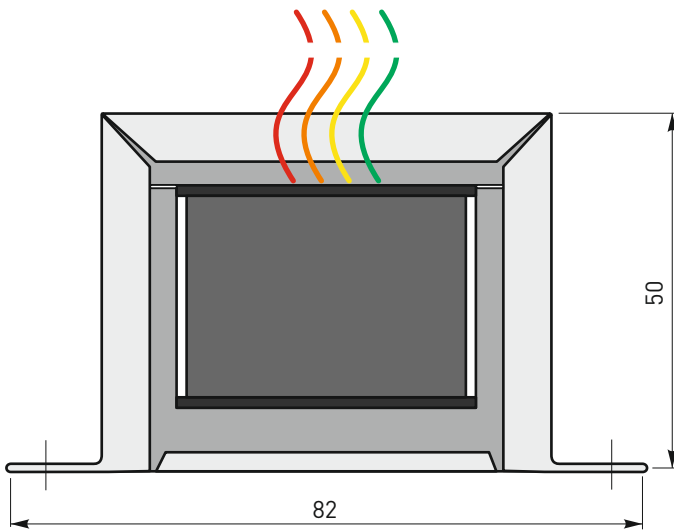
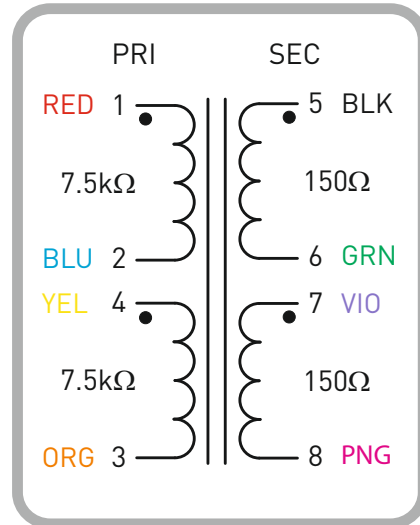
DC Resistance: (380 Ω +380 Ω) : 22 Ω

Fitted with 150 mm flying leads

Ungapped. Open frame package.



Audio transformer for Single Ended output
 Ratio: 8:1, 4:1, 2:1
 Impedance: 9.6kCT : 600Ω, 4.8kCT : 150Ω
 DC Resistance: (192Ω+192Ω) : 20Ω + 20Ω
 Fitted with 150 mm flying leads
 Gapped. Open frame package.



Audio transformer for Single Ended output
Ratio: 8:1, 4:1, 2:1

Impedance: 9.6kCT : 600Ω, 4.8kCT : 150Ω

DC Resistance: (192Ω+192Ω) : 20Ω + 20Ω

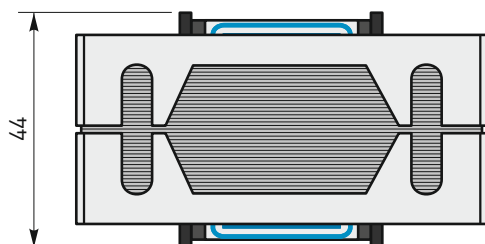
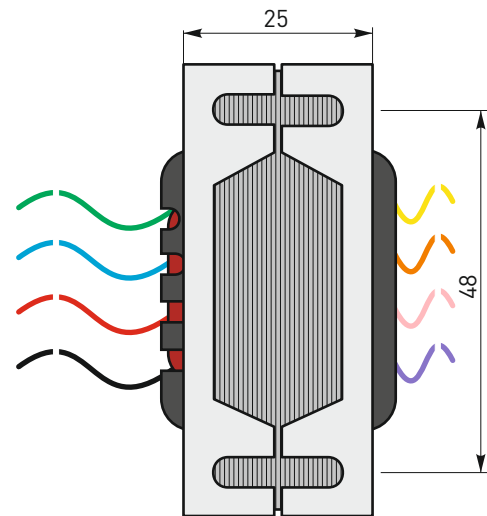
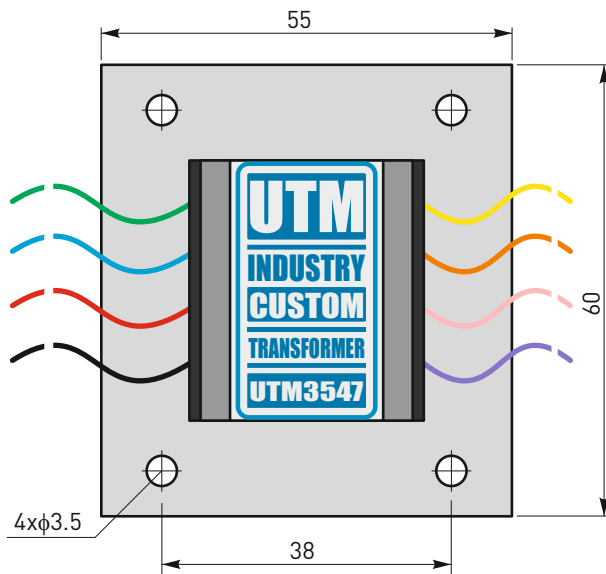
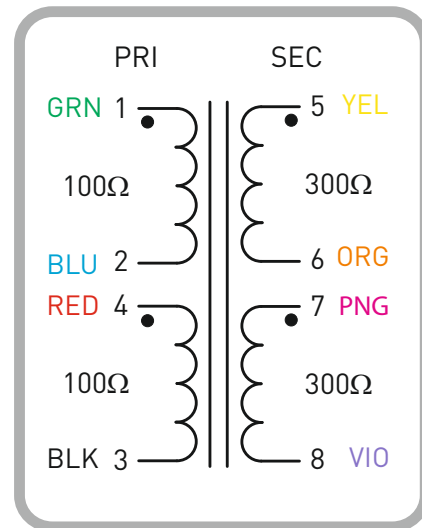
Fitted with 150 mm flying leads

Gapped. Clamped.

UTM INDUSTRY

Professional Audio Transformers

200:600
Line Output



Low profile, Output Audio transformer
Ratio: 1.25:1, 1:1.6, 1:4

Impedance: 200Ω : 600Ω, 200Ω : 150Ω,
50Ω : 600Ω, 50Ω : 150Ω

DC Resistance: (6Ω+6Ω) : (22Ω + 22Ω)

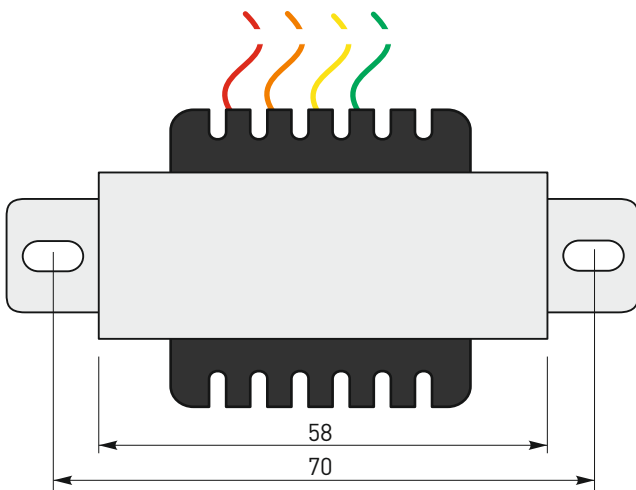
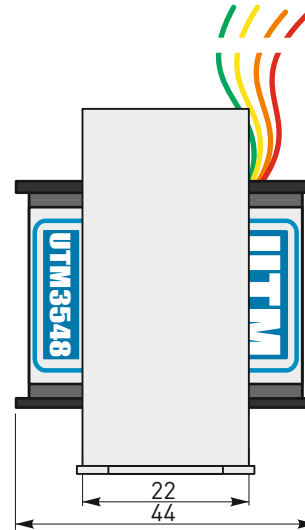
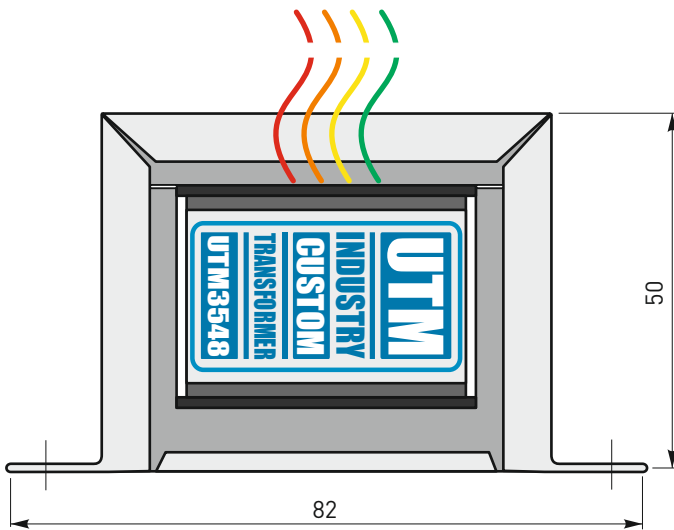
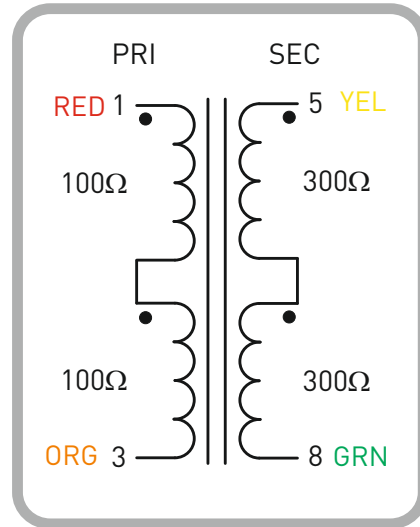
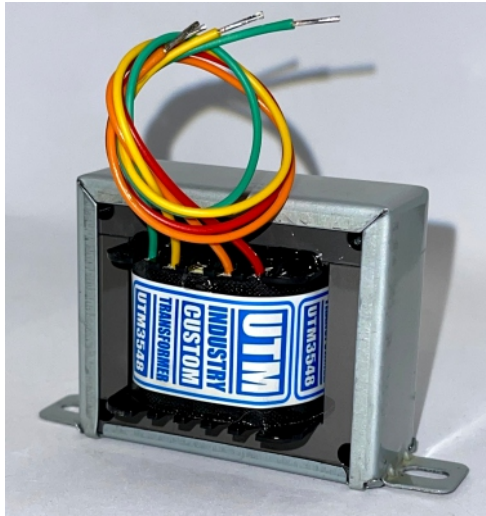
Fitted with 150 mm flying leads

Gapped. Open frame package.

UTM INDUSTRY

Professional Audio Transformers

200:600
Line Output

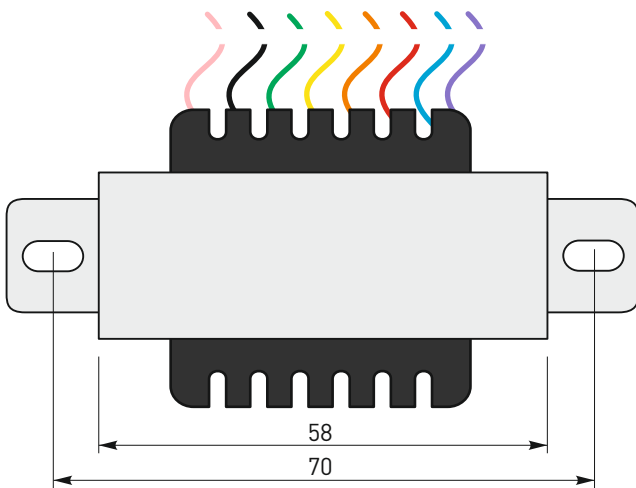
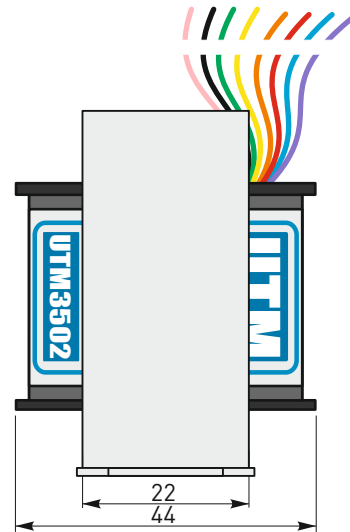
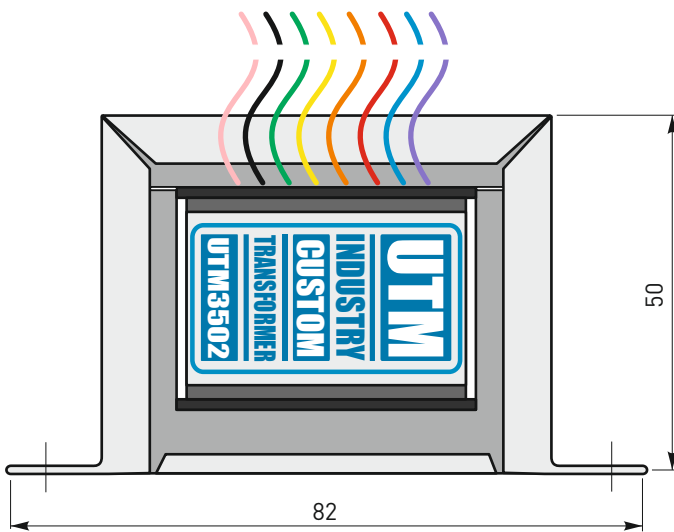
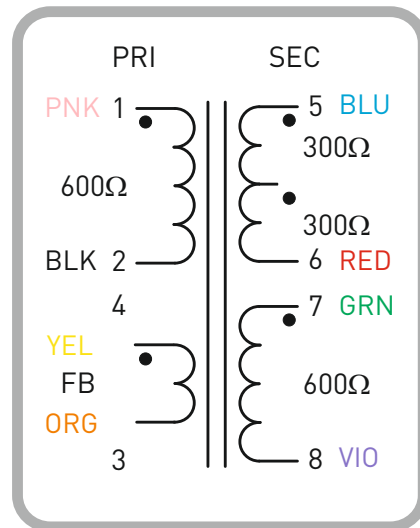
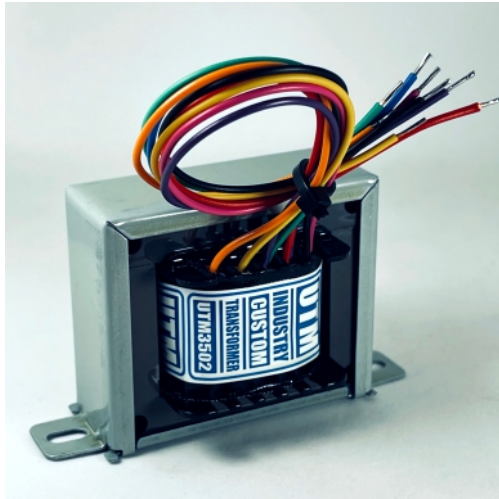


Output Audio transformer
Ratio: 1:1.6
Impedance: 200Ω : 600Ω,
DC Resistance: 12Ω : 44Ω
Fitted with 150 mm flying leads
Gapped. Clamped.

UTM INDUSTRY

Professional Audio Transformers

600:600:600:FB
1176 A-E Output

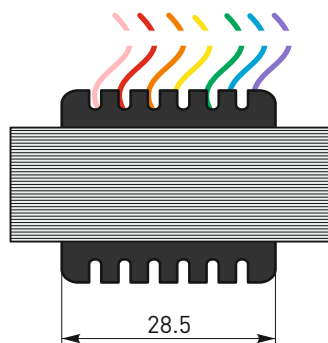
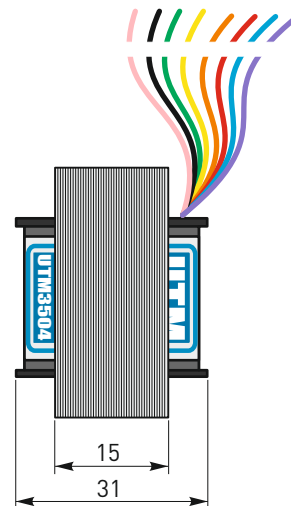
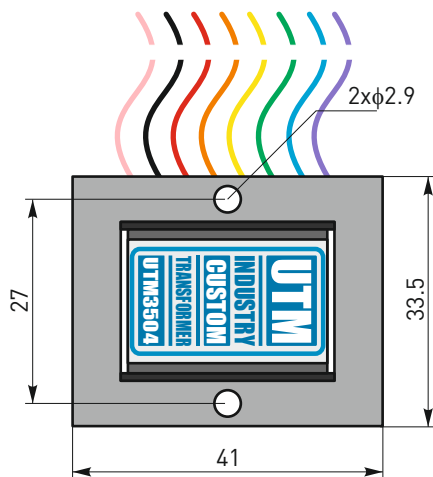
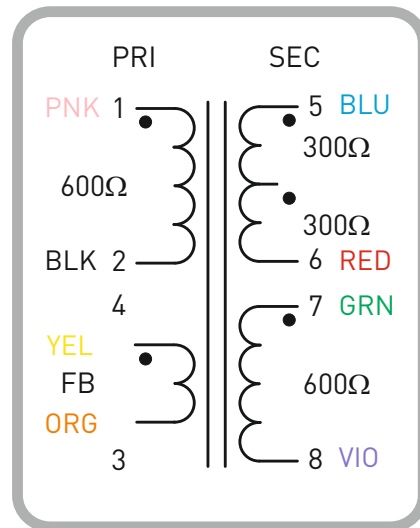
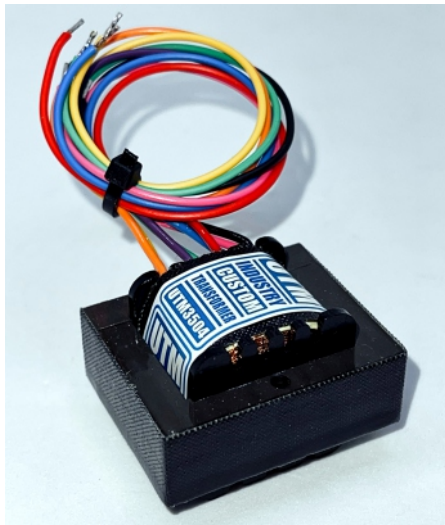


Output Audio transformer
Ratio: 1:1:1:FB
Impedance: 600Ω : 600Ω : 600Ω : FB,
DC Resistance: 35Ω : 35Ω : 260Ω: FB
Fitted with 150 mm flying leads
Gapped. Clamped.

UTM INDUSTRY

Professional Audio Transformers

600:600:600:FB
1176 A-E Output



Low profile, Output Audio transformer
Ratio: 1:1:1:FB

Impedance: 600Ω : 600Ω : 600Ω : FB,

DC Resistance: 35Ω : 35Ω : 230Ω: FB

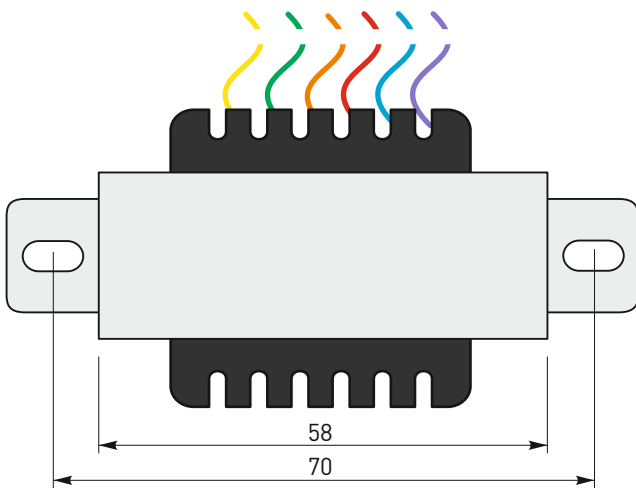
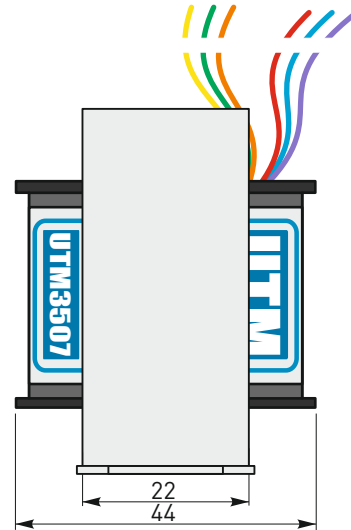
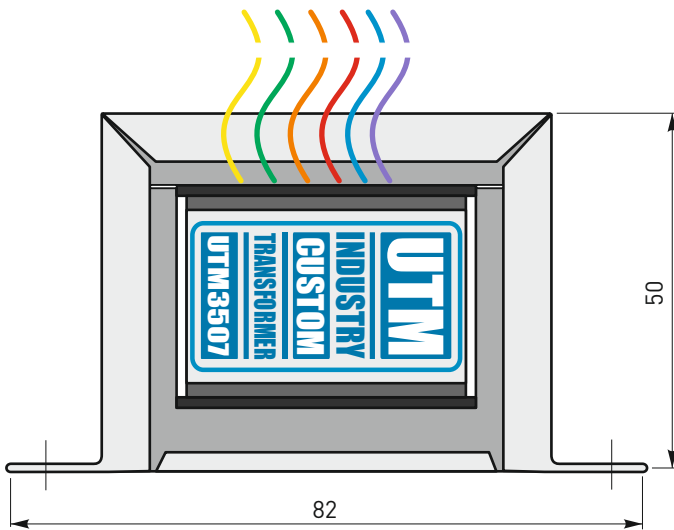
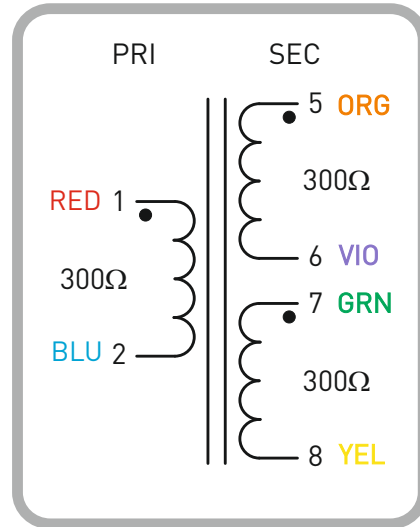
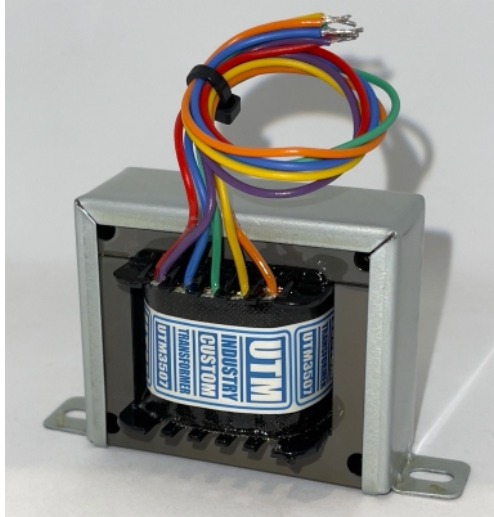
Fitted with 150 mm flying leads

Gapped. Suitable for 500-series modules.

UTM INDUSTRY

Professional Audio Transformers

300:600
1176 F-H Output

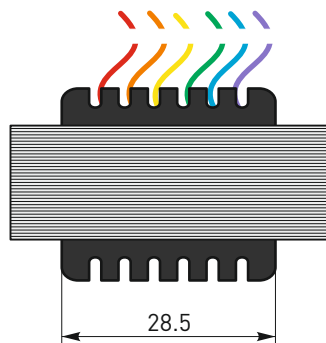
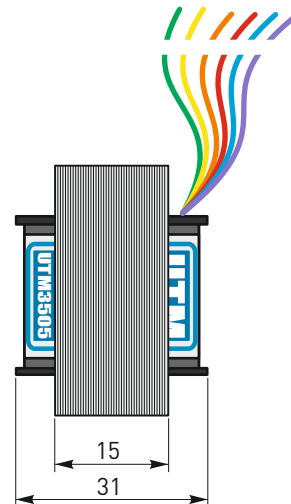
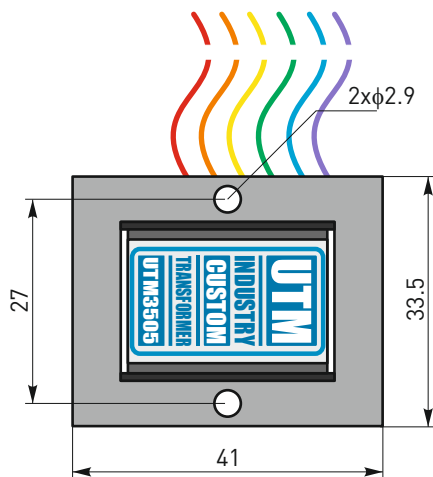
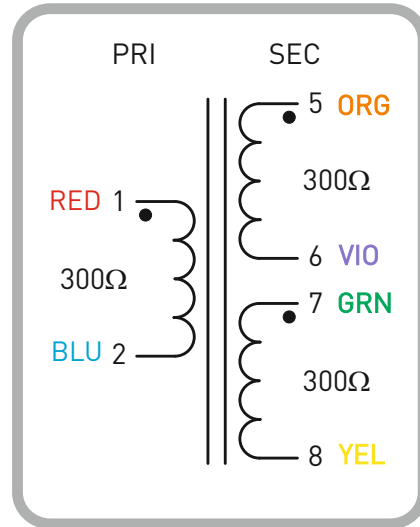


Output Audio transformer
Ratio: 1:2
Impedance: 300Ω : 600Ω,
DC Resistance: 35Ω : 70Ω
Fitted with 150 mm flying leads
Ungapped. Clamped.

UTM INDUSTRY

Professional Audio Transformers

300:600
1176 F-H Output



Output Audio transformer

Ratio: 1:2

Impedance: 300Ω : 600Ω,

DC Resistance: 30Ω : 60Ω

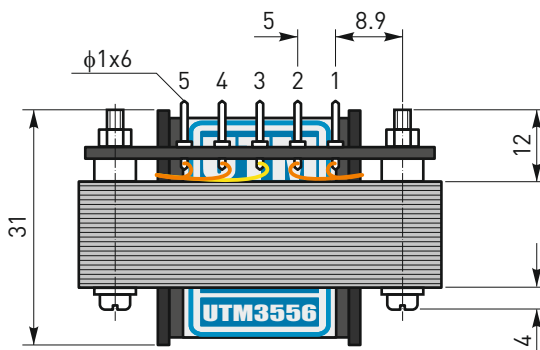
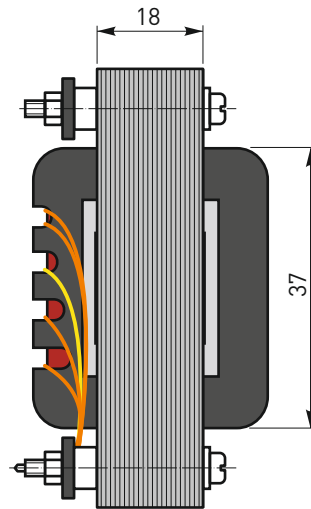
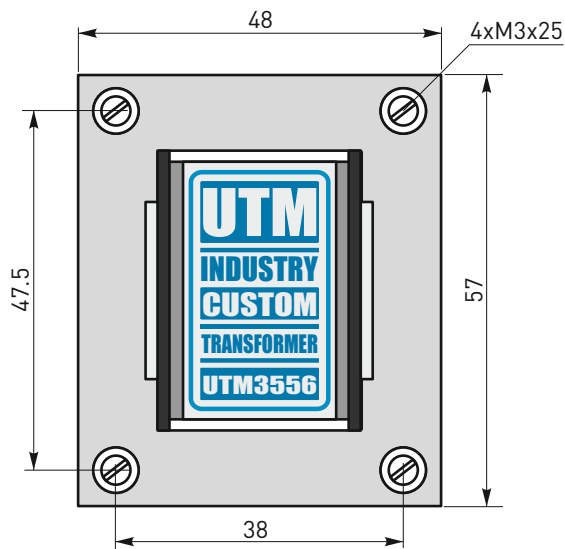
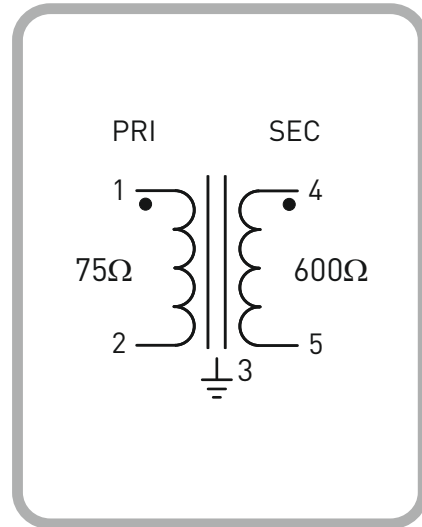
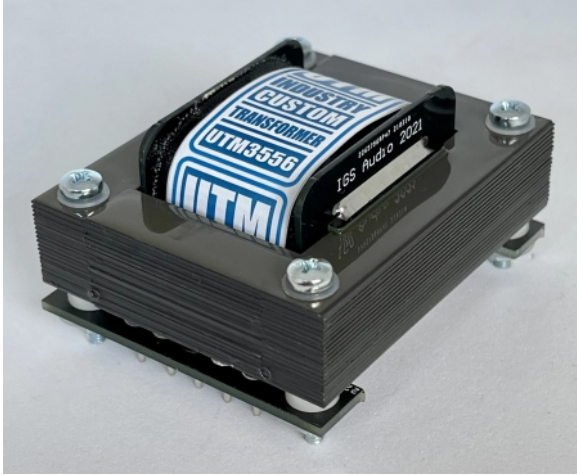
Fitted with 150 mm flying leads

Ungapped. Suitable for 500-series modules

UTM INDUSTRY

Professional Audio Transformers

75:600
Line Output



Step up, low profile Output transformer

Ratio: 1:3

Gain: +8dB

Impedance: 75Ω : 600Ω

DC Resistance: 3Ω : 30Ω

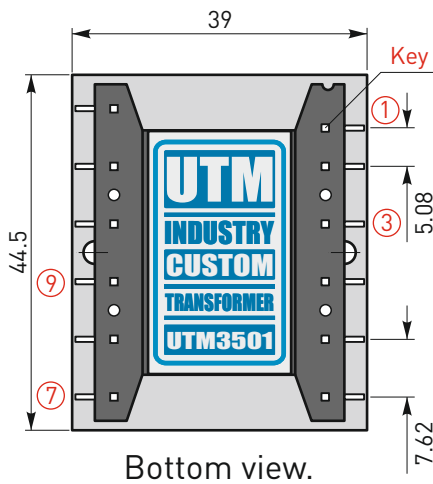
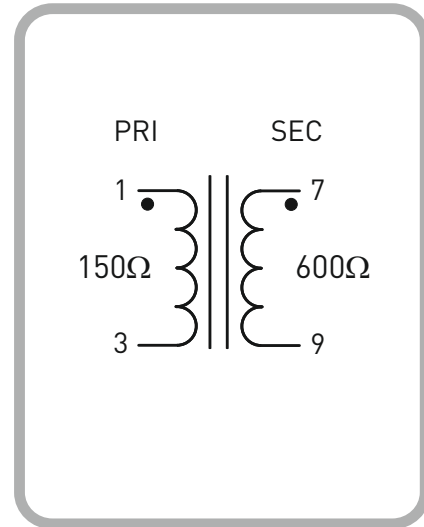
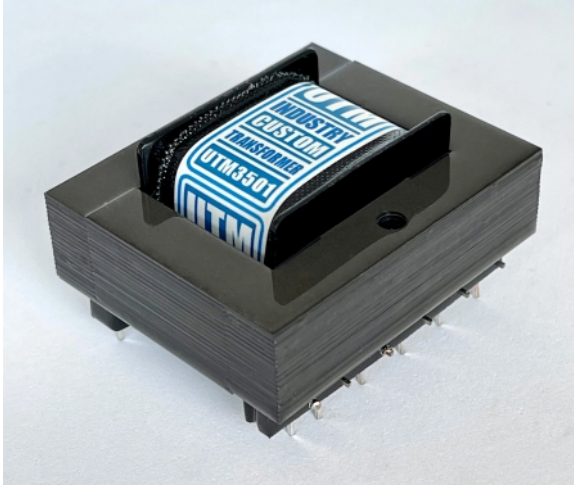
PCB Pins

Ungapped.

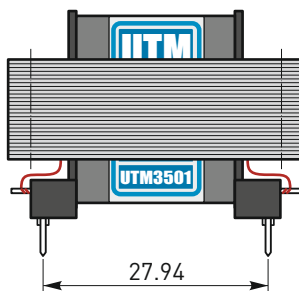
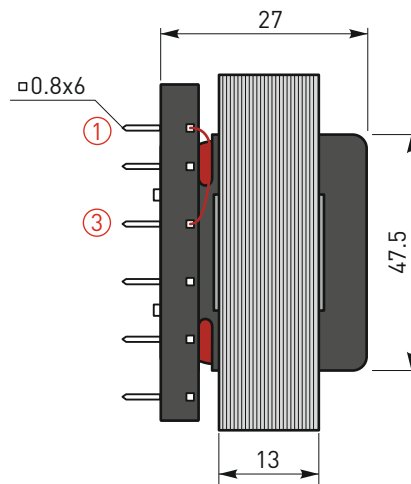
UTM INDUSTRY

Professional Audio Transformers

150:600
Line Output



Bottom view.



Super low profile, Step up
Output transformer

Ratio: 1:2

Gain: +6dB

Impedance: 150Ω : 600Ω

DC Resistance: 4Ω : 30Ω

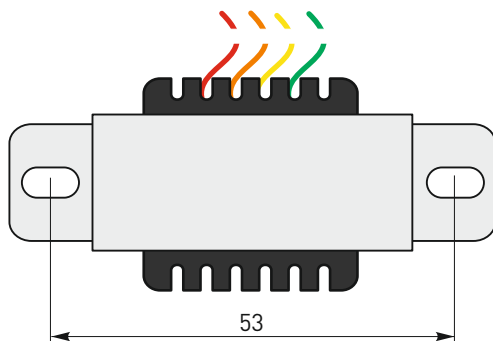
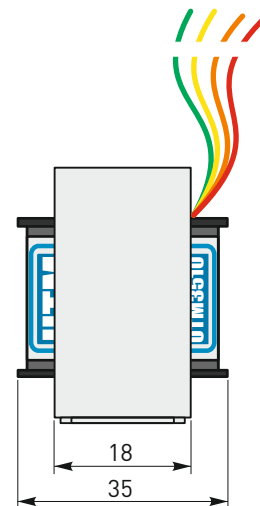
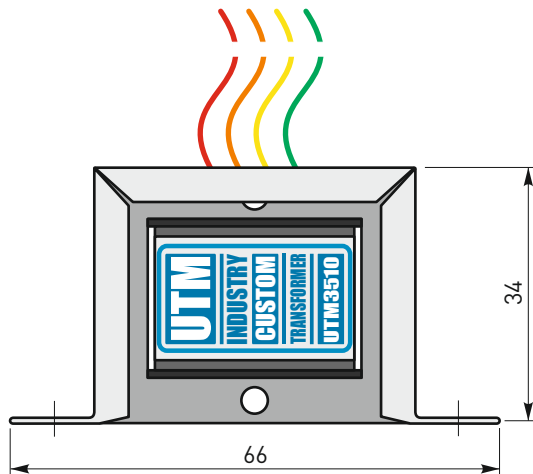
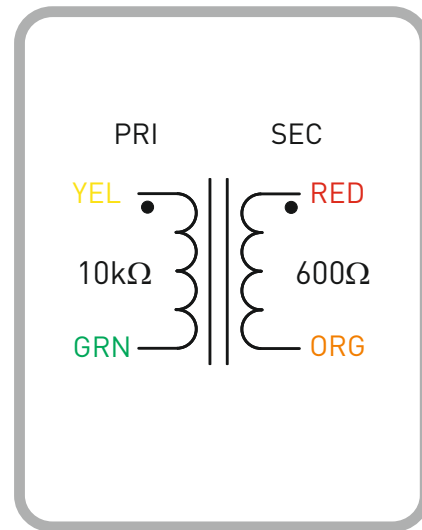
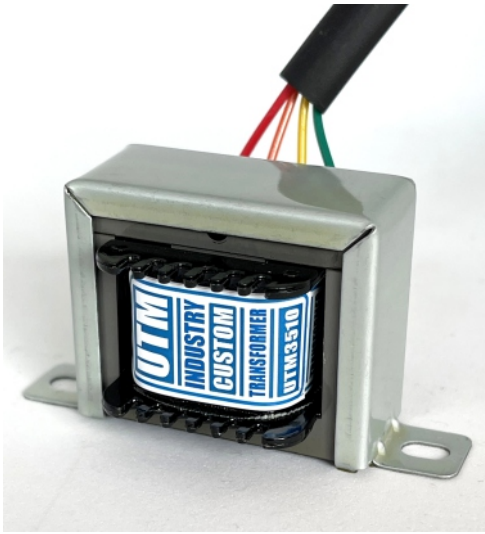
PCB Pins

Ungapped.

UTM INDUSTRY

Professional Audio Transformers

10k:600
Tube Output



Clamped, Step down,
SRPP tube Output transformer
Ratio: 4:1
Gain: -12dB
Impedance: 10kΩ : 600Ω
DC Resistance: 103Ω : 30Ω
Fitted with 150 mm flying leads
Ungapped.

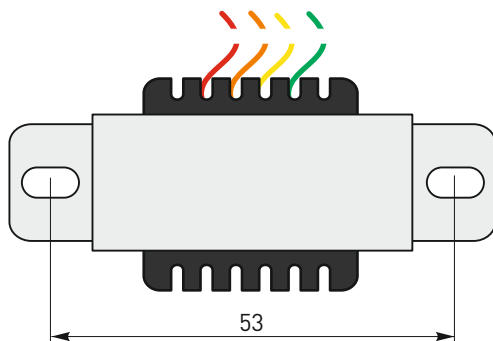
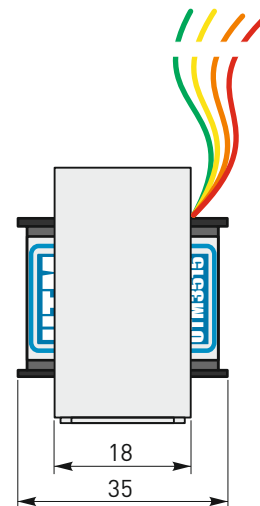
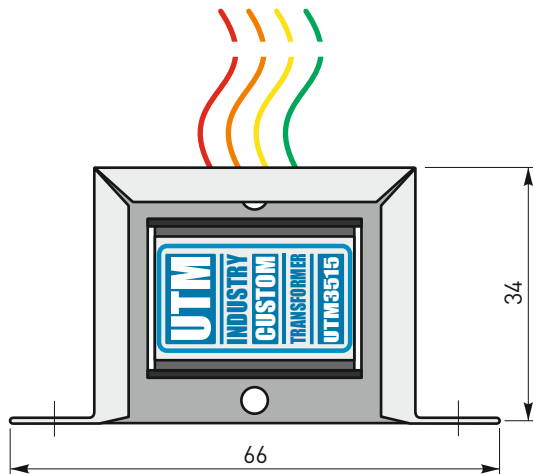
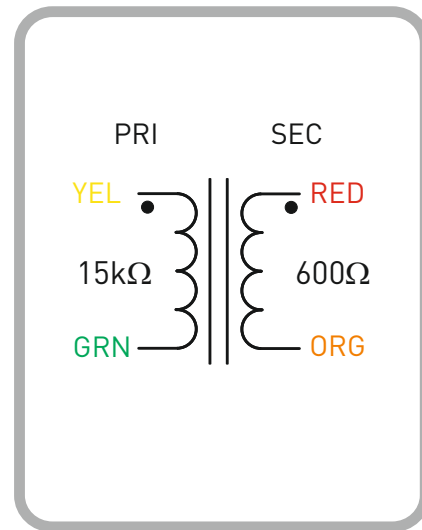
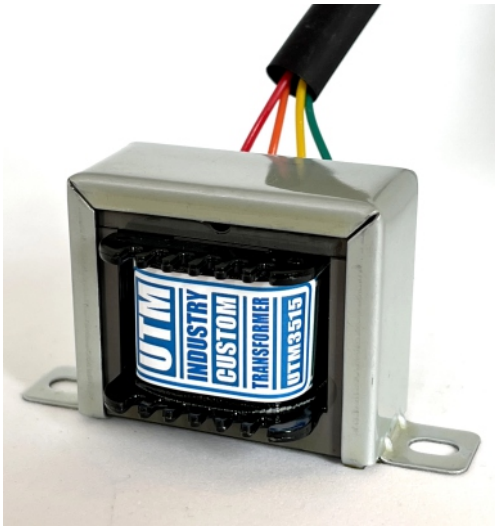
UTM3510
utmindustry.com

Rev. 2.B. Scale 1:1. 17.02.2022

UTM INDUSTRY

Professional Audio Transformers

15k:600
LA2A Output

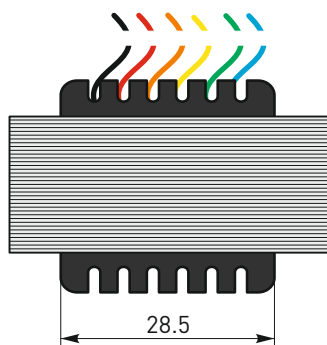
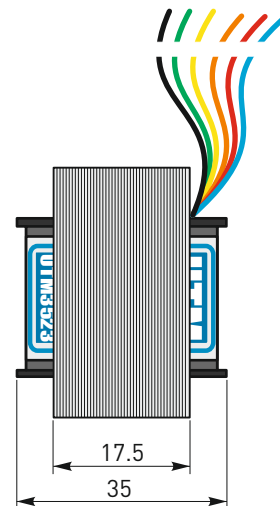
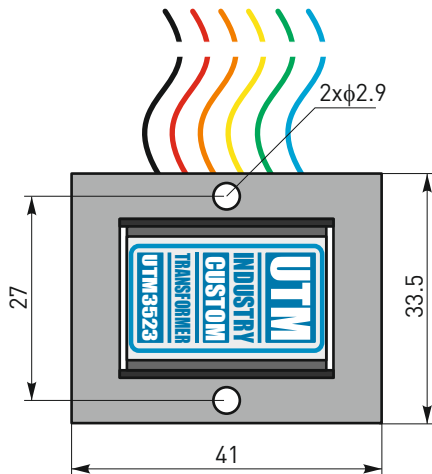
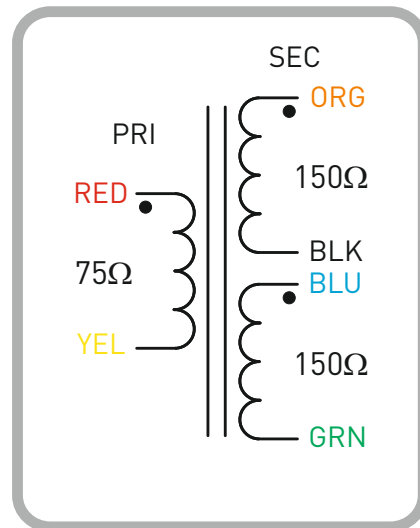
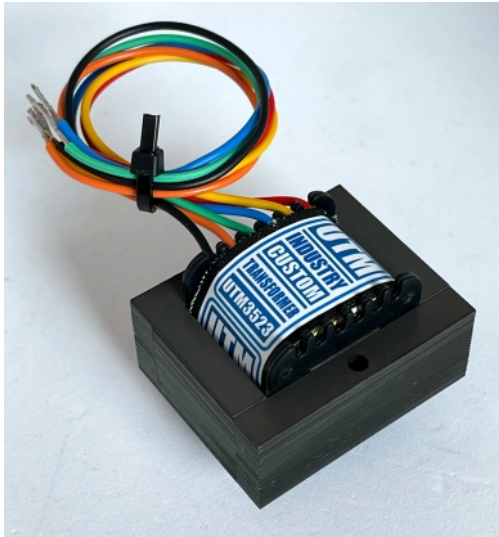


Clamped, Step down,
LA2A style Output transformer
Ratio: 5:1
Gain: -15dB
Impedance: 15kΩ : 600Ω
DC Resistance: 280Ω : 53Ω
Fitted with 150 mm flying leads
Ungapped.

UTM INDUSTRY

Professional Audio Transformers

75:300
API Output

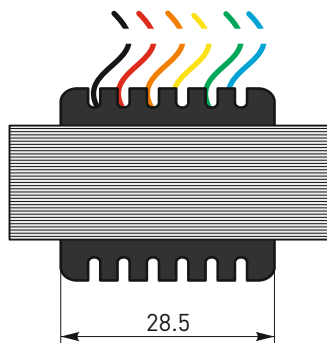
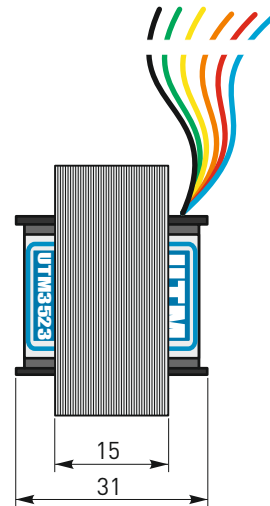
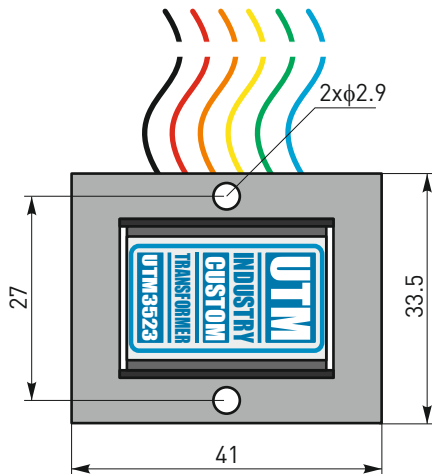
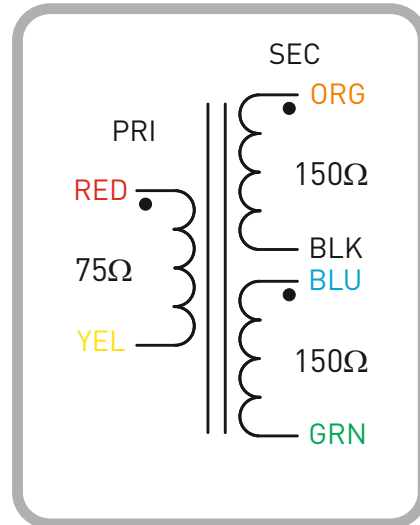
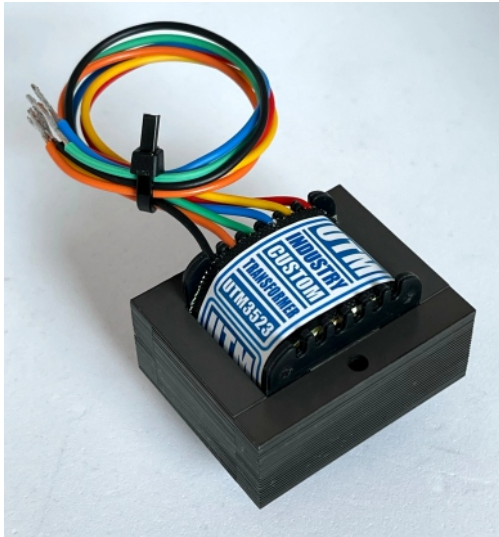


Screw mounted, Step up,
API style, Output transformer
Ratio: 1:1, 1:2
Gain: 0dB, +4dB
Impedance: 75Ω : 300Ω
DC Resistance: 10Ω : (20Ω + 20Ω)
Fitted with 150 mm flying leads
Ungapped.

UTM INDUSTRY

Professional Audio Transformers

75:300
API Output



Low profile, Screw mounted, Step up, API style, Output transformer

Ratio: 1:1, 1:2

Gain: 0dB, +4dB

Impedance: 75Ω : 300Ω

DC Resistance: 10Ω : (20Ω + 20Ω)

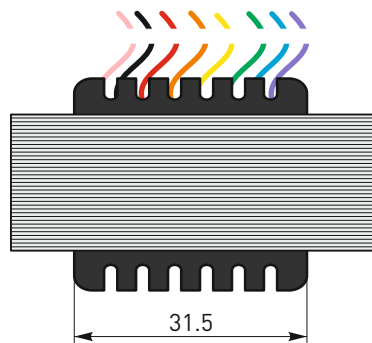
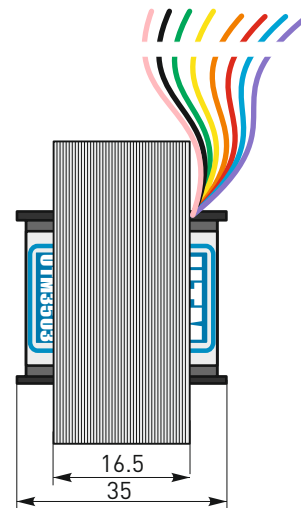
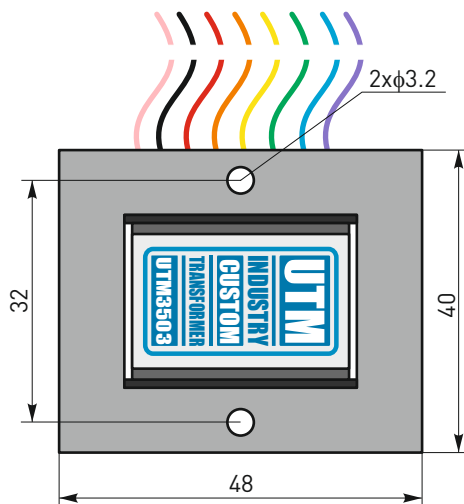
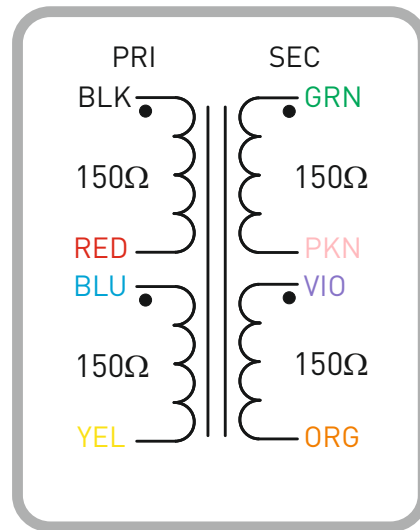
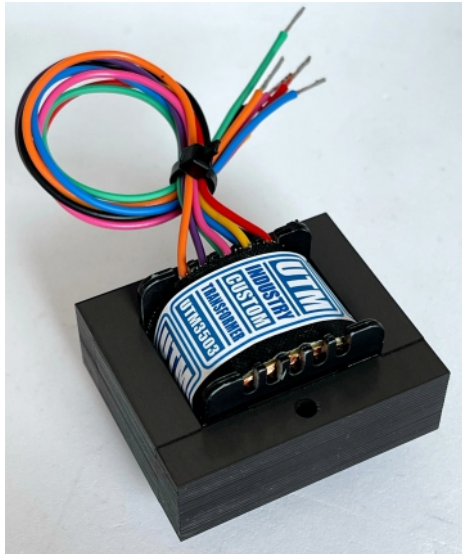
Fitted with 150 mm flying leads

Ungapped.

UTM INDUSTRY

Professional Audio Transformers

300:300
API Output

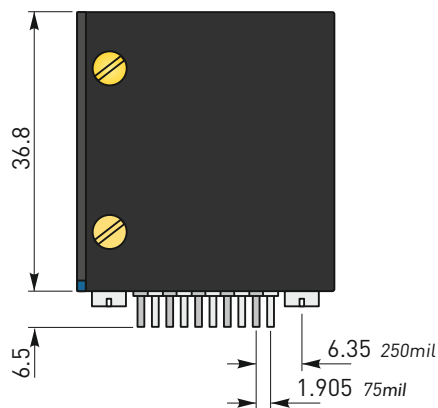
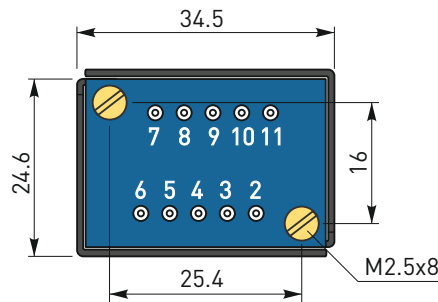
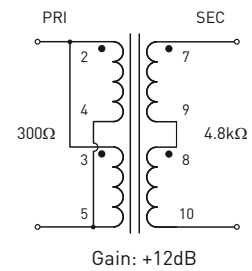
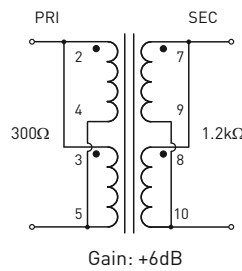
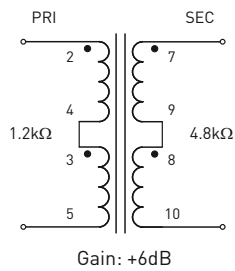
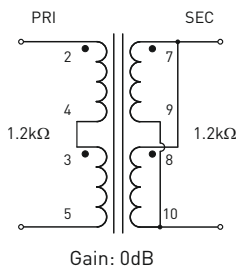
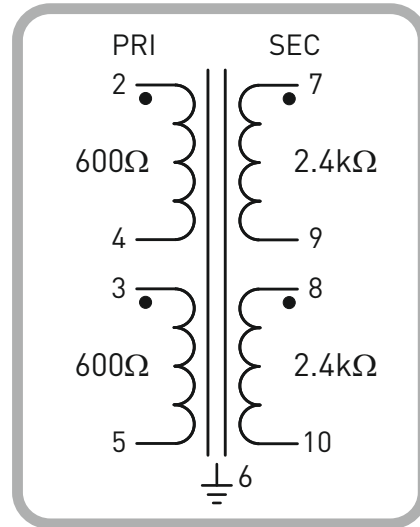


Screw mounted, Step up,
API style, Output transformer
Ratio: 1:1, 1:2, 2:1
Gain: 0dB, +4dB, -4dB
Impedance: 75Ω : 300Ω, 300Ω : 300Ω
DC Resistance: (20Ω + 20Ω) : (20Ω + 20Ω)
Fitted with 150 mm flying leads
Ungapped.

UTM INDUSTRY

Professional Audio Transformers

1.2k:4.8k
Mic Input



Microphone Level Input transformer

Ratio: 1:1, 1:2, 1:4

Gain: 0dB, +6dB, +12dB

Impedance: 300kΩ : 4.8kΩ, 1.2kΩ : 4.8Ω,

300Ω : 1.2Ω, 1.2kΩ : 1.2Ω,

DC Resistance: (26Ω + 26Ω) : (128Ω + 128Ω)

PCB Pins

Also works oposite.

UTM Industry, designed and made in Europe
All Right Reserved. 2001 - 2022

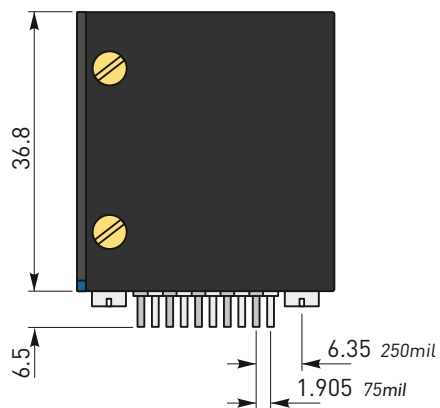
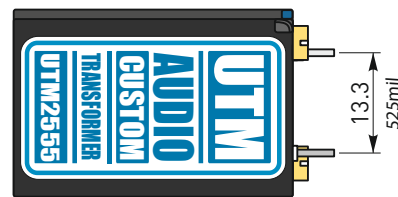
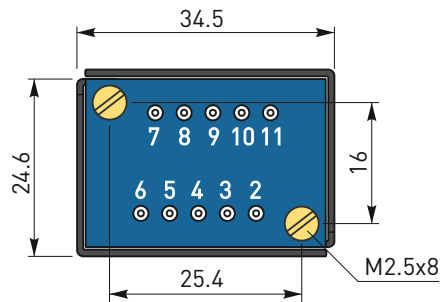
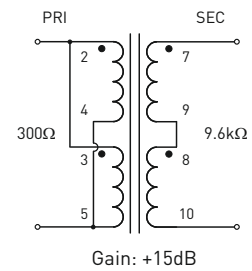
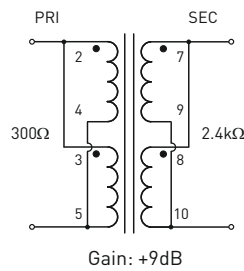
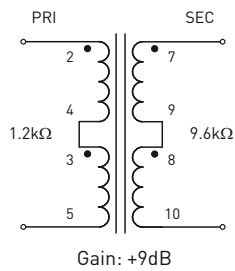
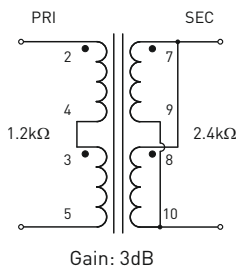
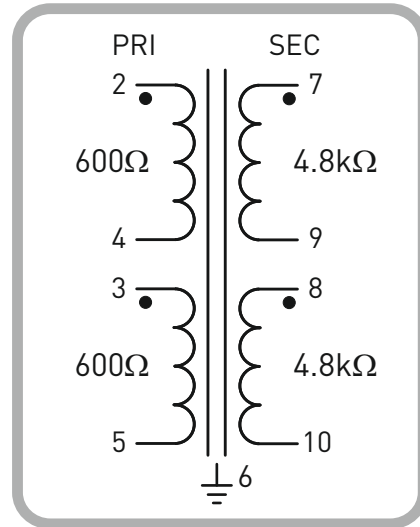
UTM2545
utmindustry.com

Rev. 2.B. Scale 1:1. 17.02.2022

UTM INDUSTRY

Professional Audio Transformers

1.2k:10k
Mic Input



Hi Ratio, Microphone Level Input transformer

Ratio: 1:2, 1:2.8, 1:5.6

Gain: +3dB, +9dB, 15dB

Impedance: 300kΩ : 4.8kΩ, 1.2kΩ : 4.8kΩ,

300Ω : 1.2kΩ, 1.2kΩ : 1.2kΩ,

DC Resistance: (40Ω + 40Ω) : (250Ω + 250Ω)

PCB Pins

Also works oposite.

UTM Industry, designed and made in Europe
All Right Reserved. 2001 - 2022

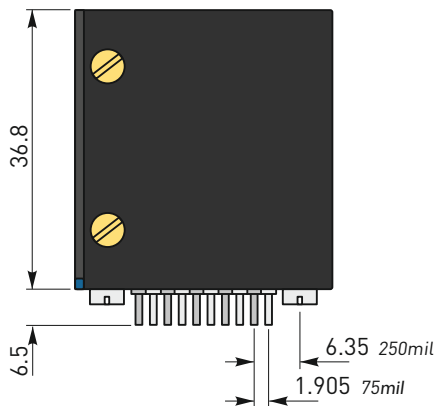
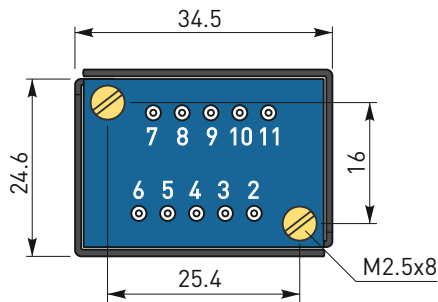
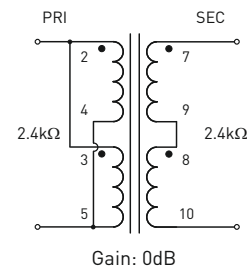
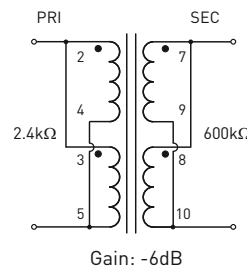
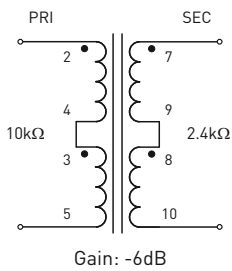
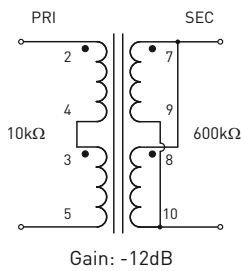
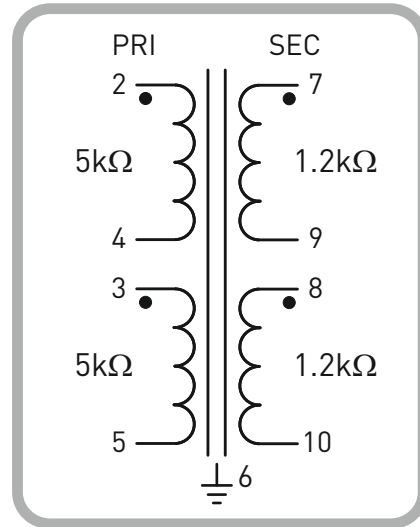
UTM2555
utmindustry.com

Rev. 2.B. Scale 1:1. 17.02.2022

UTM INDUSTRY

Professional Audio Transformers

10k:2.4k
Line Input



UTM Industry, designed and made in Europe
All Right Reserved. 2001 - 2022

Line Level Input transformer

Ratio: 4:1, 2:1, 1:1

Gain: -12dB, -6dB, 0dB

Impedance: 10kΩ : 600Ω, 10kΩ : 2.4Ω,
2.4kΩ : 2.4Ω, 2.4kΩ : 600Ω,

DC Resistance: (154Ω + 154Ω) : (52Ω + 52Ω)

PCB Pins

Also works oposite.

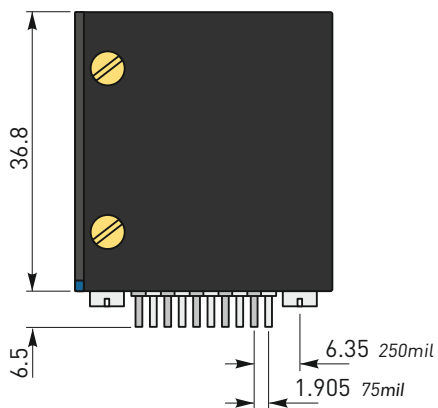
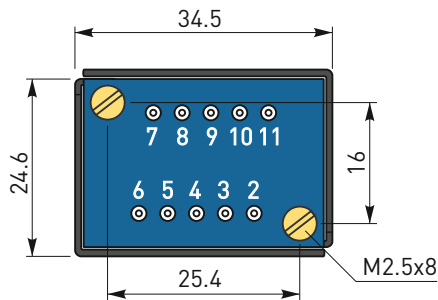
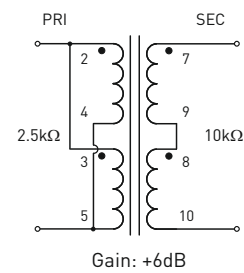
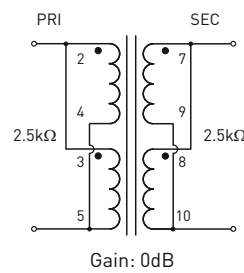
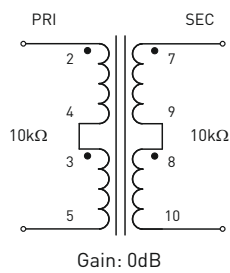
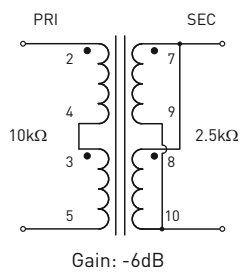
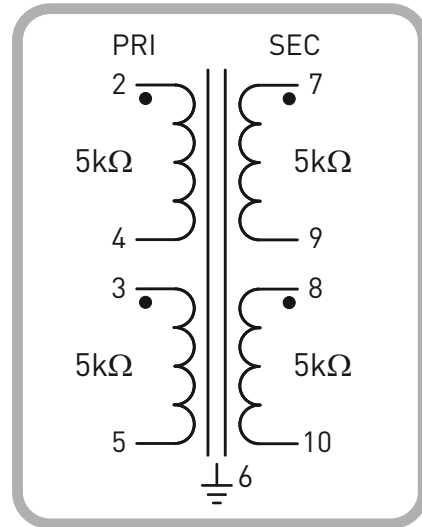
UTM2546
utmindustry.com

Rev. 2.B. Scale 1:1. 17.02.2022

UTM INDUSTRY

Professional Audio Transformers

10k:10k
Line Input



UTM Industry, designed and made in Europe
All Right Reserved. 2001 - 2022

Hi Impedance, Line Level Input transformer
Ratio: 2:1, 1:1, 1:2
Gain: -6B, 0dB, +6dB
Impedance: 10kΩ : 2.5Ω, 10kΩ : 10kΩ,
2.5kΩ : 2.5Ω, 2.4kΩ : 10kΩ,
DC Resistance: (330Ω + 330Ω) : (400Ω + 400Ω)
PCB Pins
Also works oposite.

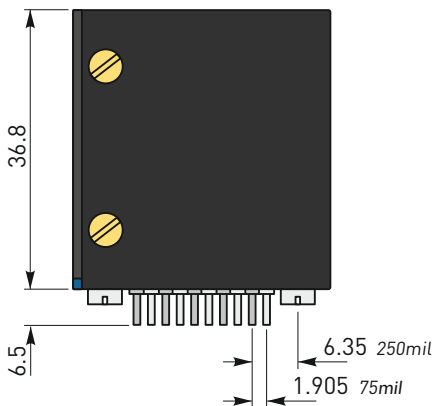
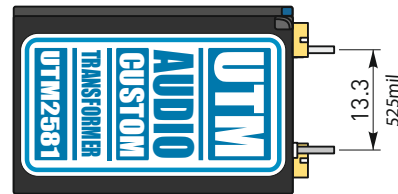
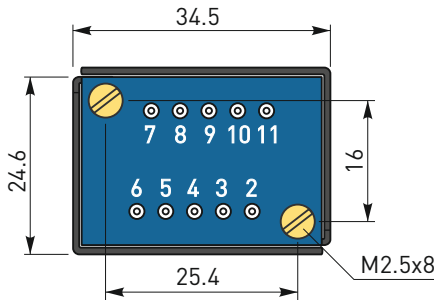
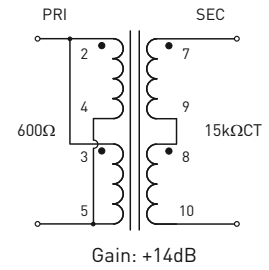
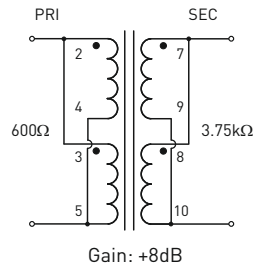
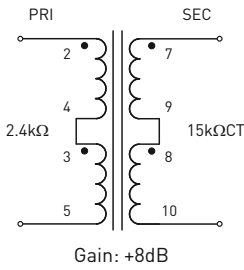
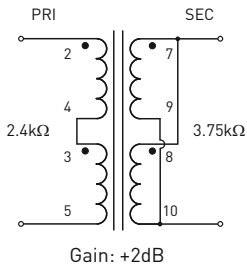
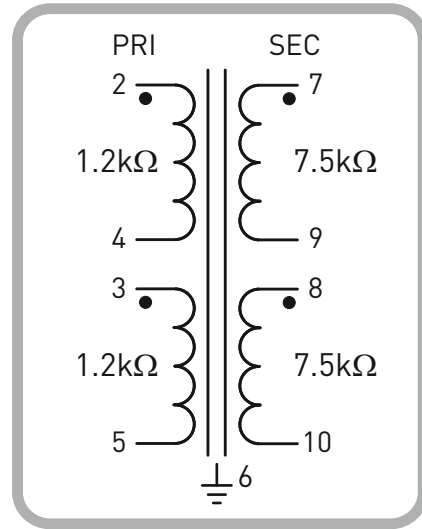
UTM2571
utmindustry.com

Rev. 2.B. Scale 1:1. 17.02.2022

UTM INDUSTRY

Professional Audio Transformers

600:15kCT
Line Input



Vari-mu Input, Line Level Transformer

Ratio: 1:1.25, 1:2.5, 1:5

Gain: +2B, +8dB, +14dB

Impedance: 2.4kΩ : 3.5Ω, 2.4kΩ : 15kΩ,
600Ω : 3.5Ω, 600Ω : 15kΩ,

DC Resistance: (24Ω + 24Ω) : (180Ω + 180Ω)

PCB Pins

Also works oposite.

UTM Industry, designed and made in Europe
All Rightst Reserved. 2001 - 2022

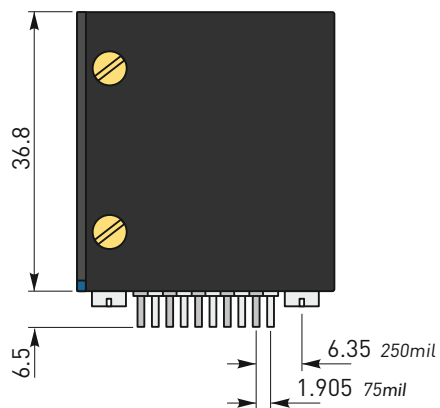
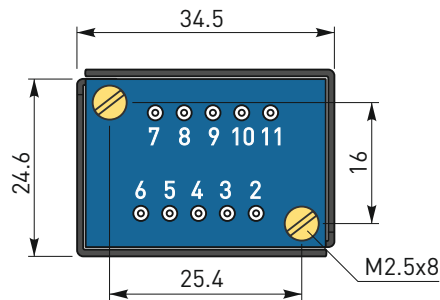
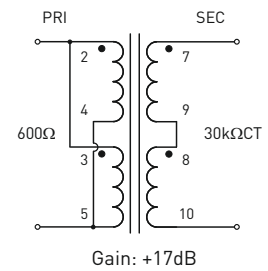
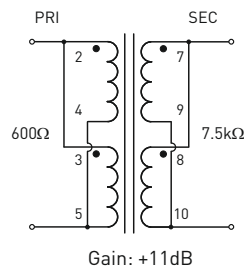
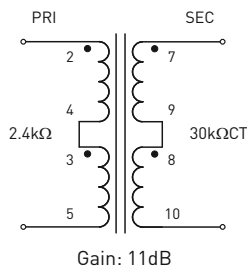
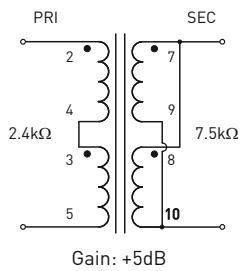
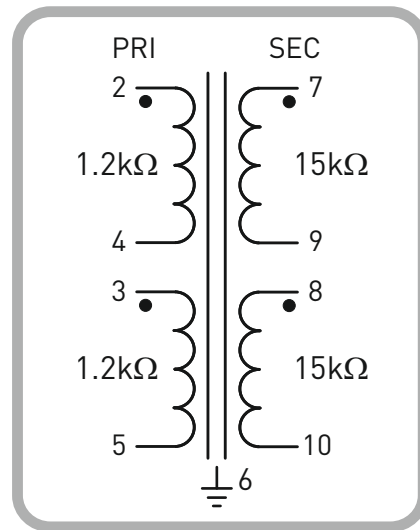
UTM2581
utmindustry.com

Rev. 2.B. Scale 1:1. 17.02.2022

UTM INDUSTRY

Professional Audio Transformers

600:30kCT
Line Input



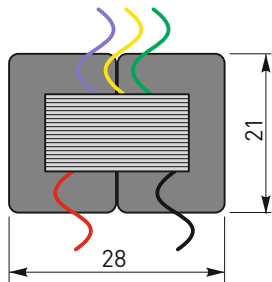
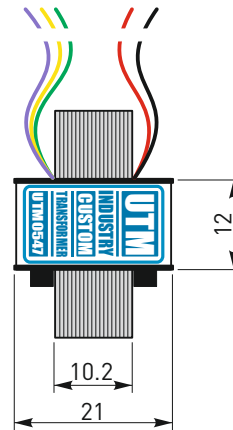
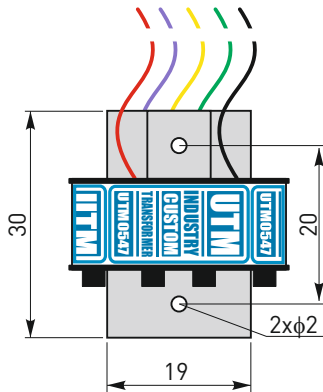
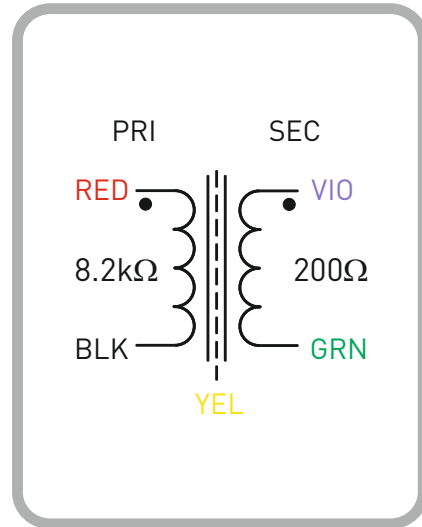
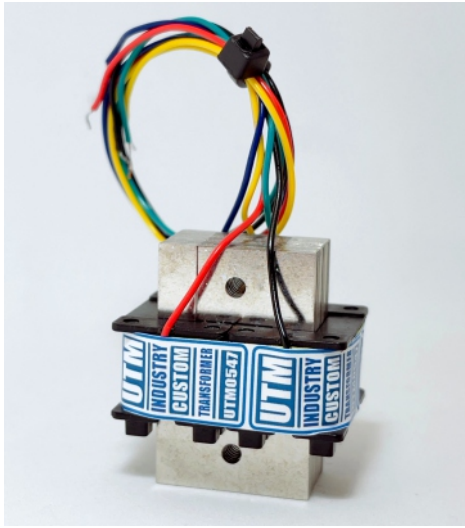
High Ratio, Vari-mu Line Level, Transformer
 Ratio: 1:1.8, 1:35, 1:7
 Gain: +5B, +11dB, +18dB
 Impedance: 2.4kΩ : 7.5Ω, 2.4kΩ : 30kΩ,
 600Ω : 7.5Ω, 600Ω : 30kΩ,
 DC Resistance: (24Ω + 24Ω) : (180Ω + 180Ω)
 PCB Pins
 Also works oposite.

UTM Industry, designed and made in Europe
 All Right Reserved. 2001 - 2022

UTM2582
 utmindustry.com

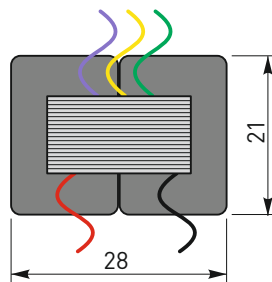
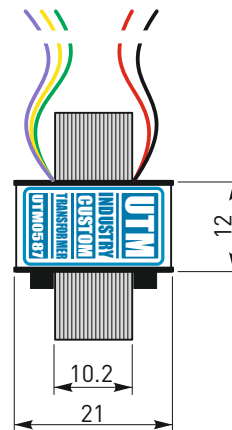
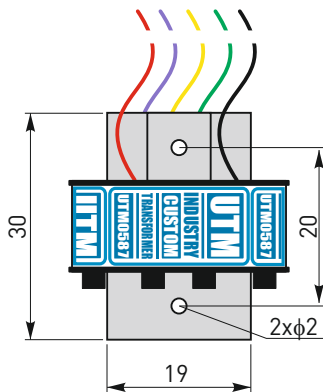
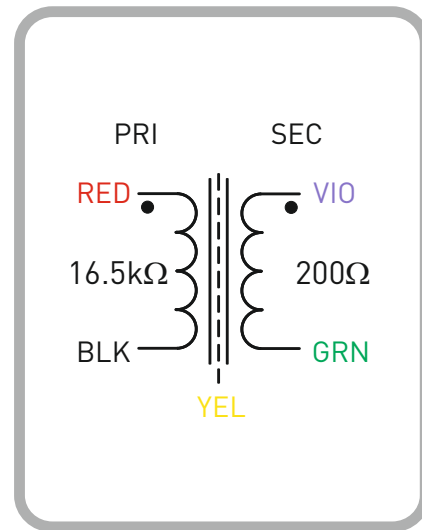
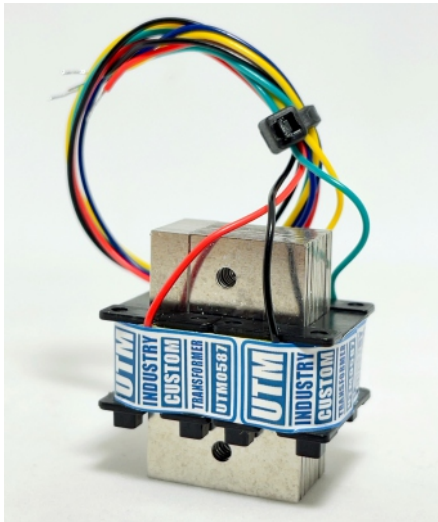
Rev. 2.B. Scale 1:1. 17.02.2022

8.2k:200
Mic Output



High Nickel, Microphone Output Transformer
 Ratio: 6:1
 Gain: -18dB
 Impedance: 8.2kΩ : 200Ω
 DC Resistance: 390Ω : 34Ω
 Fitted with 150 mm flying leads.

16.5k:200
Mic Output



High Nickel, Microphone Output Transformer

Ratio: 9.5:1

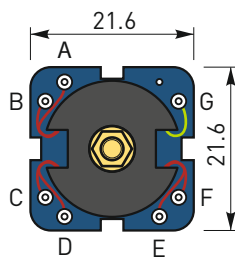
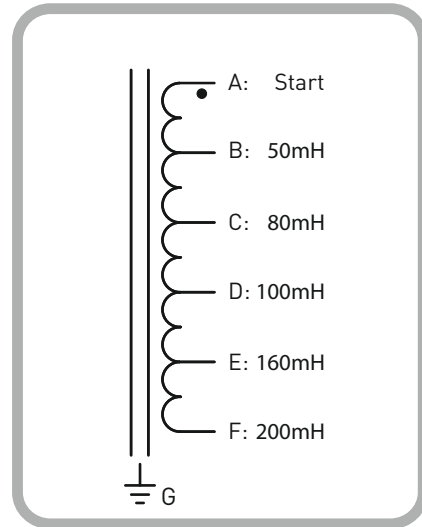
Gain: -20dB

Impedance: 16.5kΩ : 200Ω

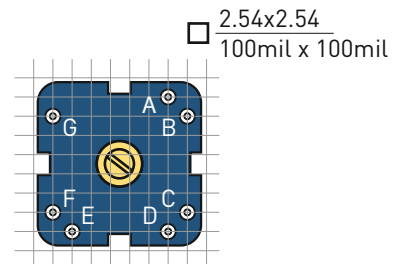
DC Resistance: 400Ω : 22Ω

Fitted with 150 mm flying leads.

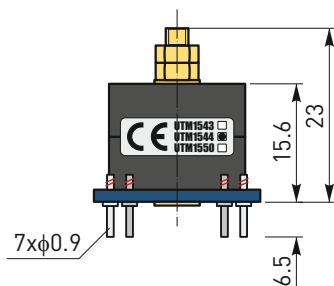
Multi Tapped Inductor



TOP View



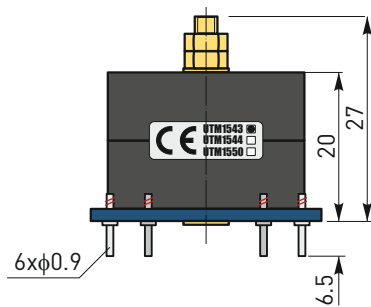
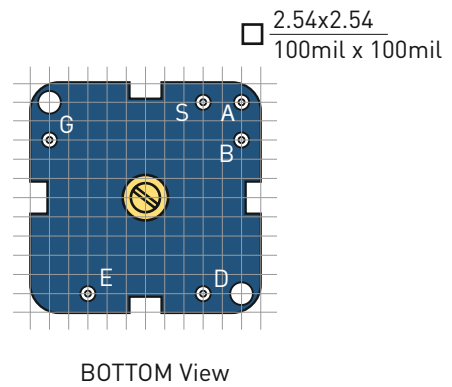
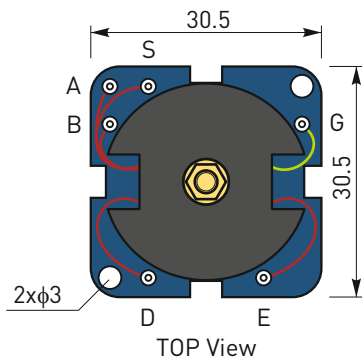
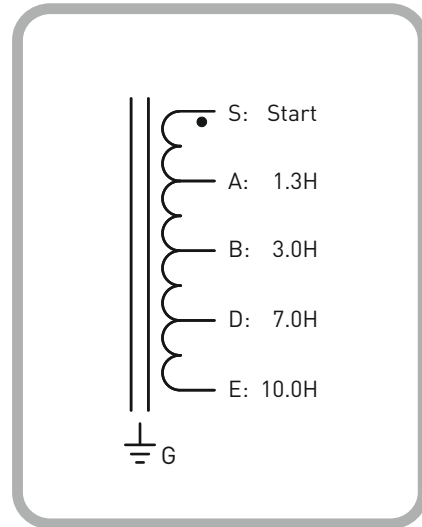
BOTTOM View



UTM INDUSTRY

Professional Audio Transformers

Multi Tapped Inductor



Multi Tapped Inductor

