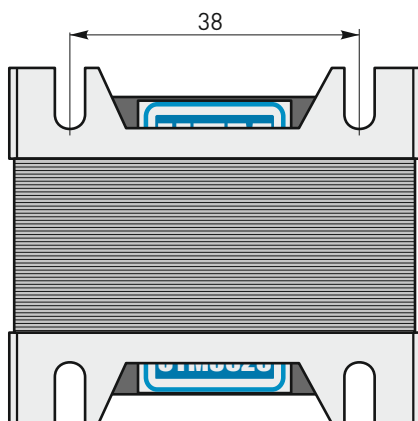
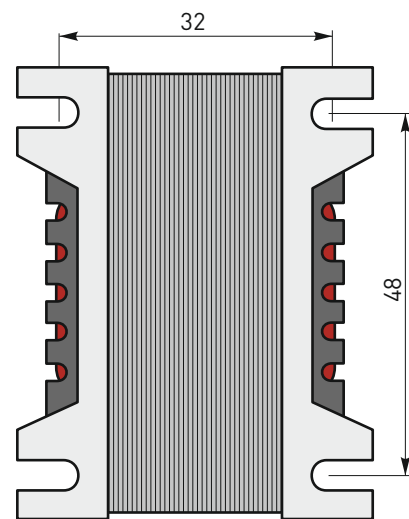
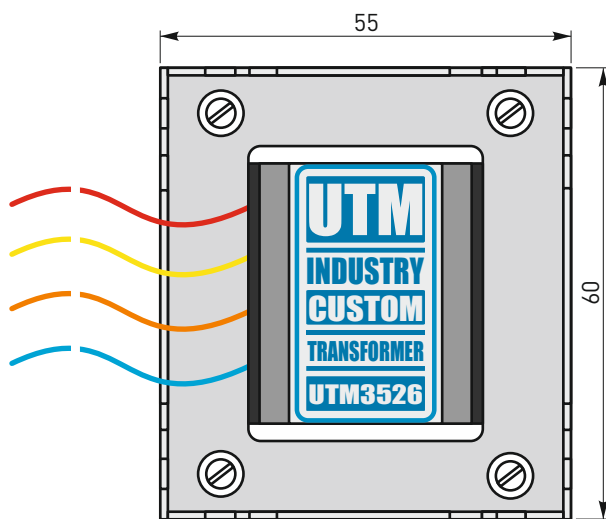
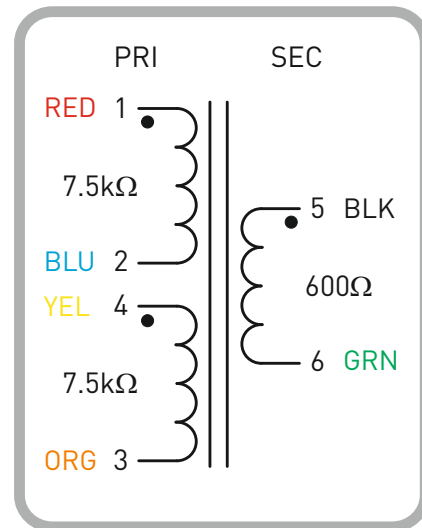
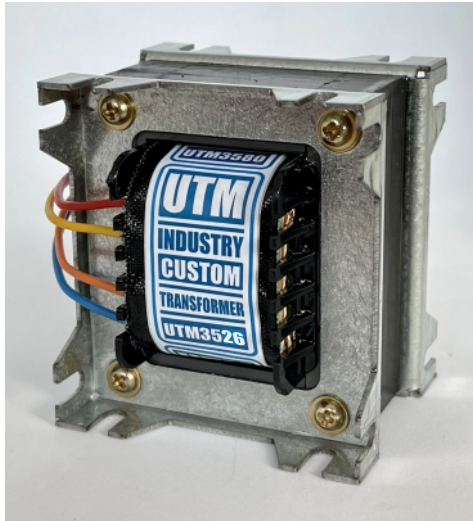


# UTM INDUSTRY

Professional Audio Transformers

15kCT:600  
Tube Output



Audio transformer for Push-Pull output stage  
Ratio: 5:1

Impedance: 15kCT : 600Ω

DC Resistance: (370Ω+370Ω) : 40Ω

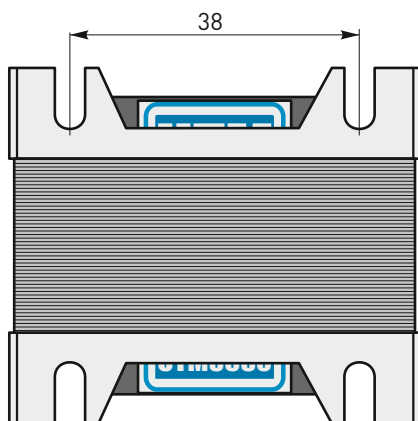
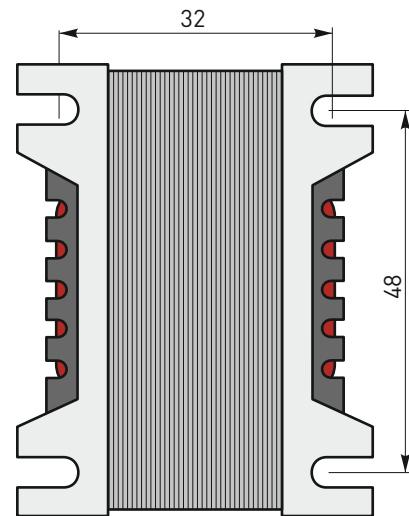
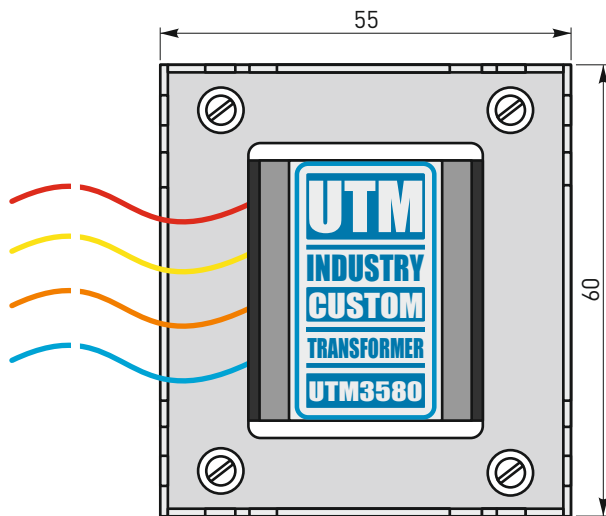
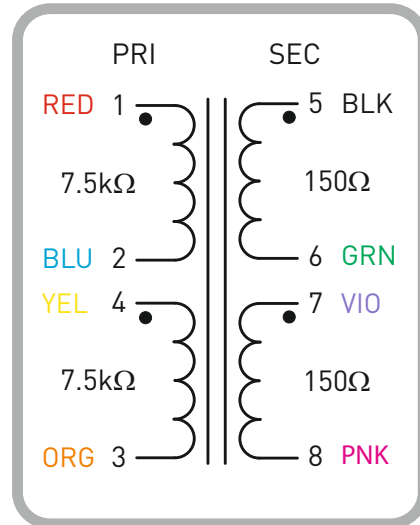
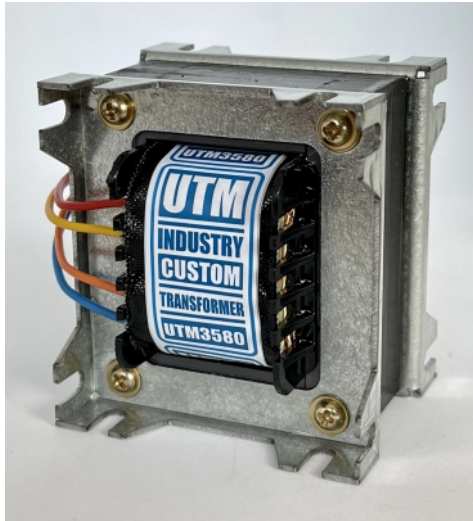
Fitted with 150 mm flying leads

Ungapped. Open frame package.

# UTM INDUSTRY

Professional Audio Transformers

15kCT:150  
Tube Output



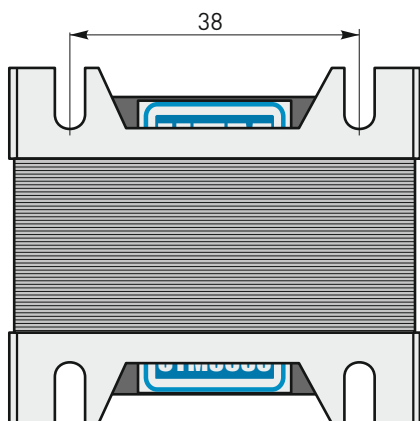
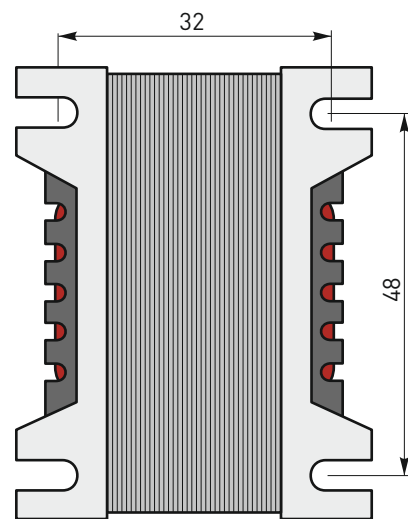
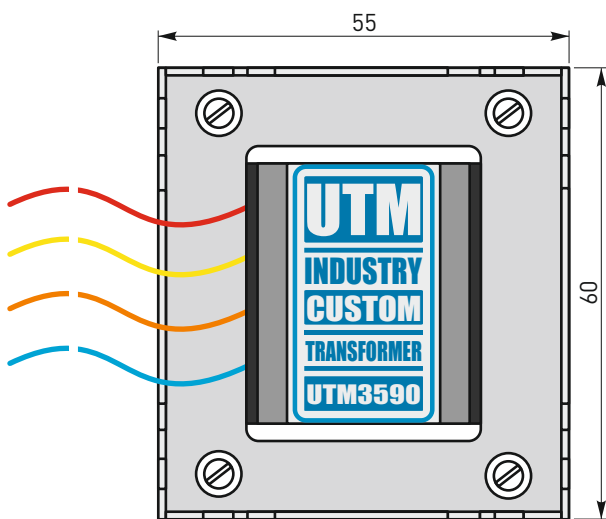
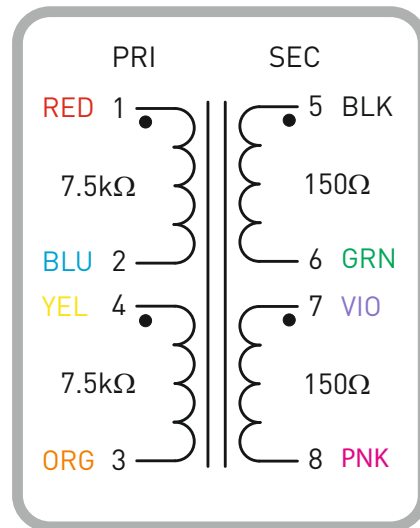
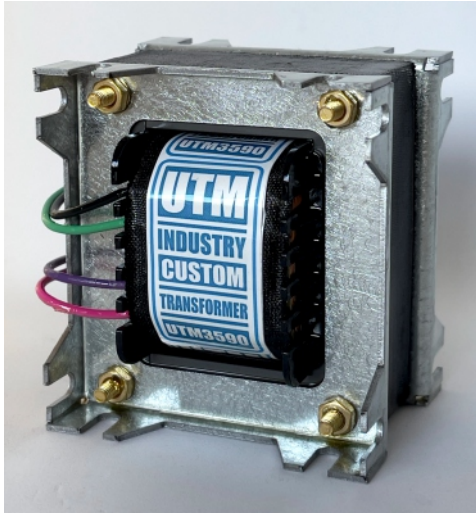
Audio transformer for Push-Pull output stage  
Ratio: 5:1, 10:1

Impedance: 15kCT : 600Ω, 15kCT : 150Ω

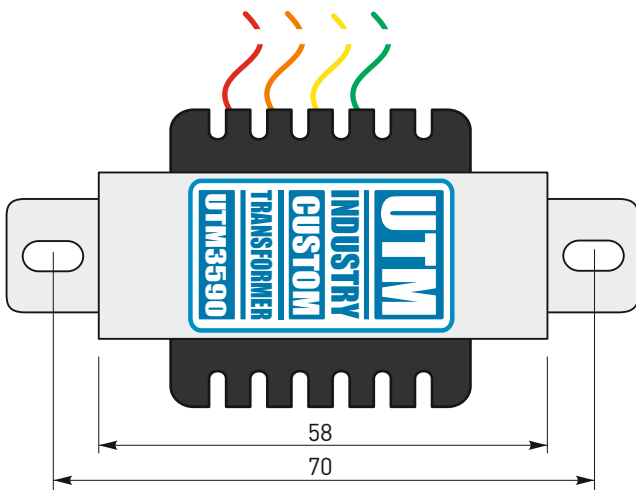
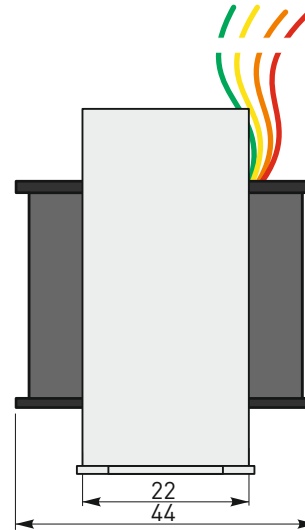
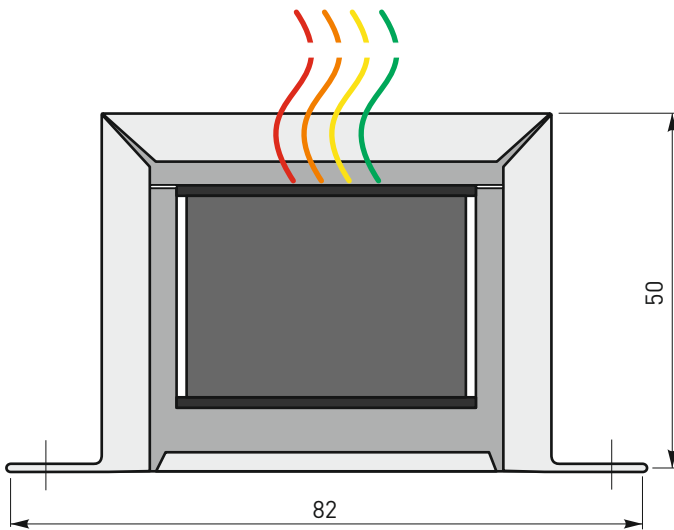
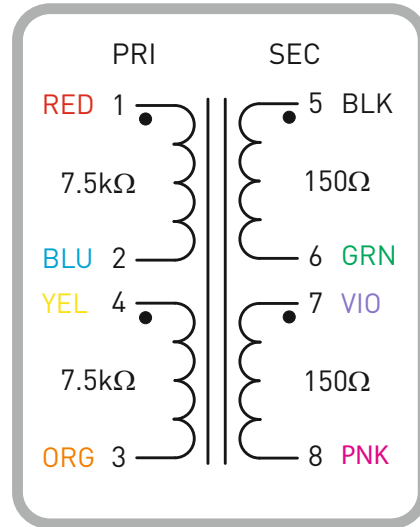
DC Resistance: (370Ω+370Ω) : (20Ω + 20Ω)

Fitted with 150 mm flying leads

Ungapped. Open frame package.



Audio transformer for Single Ended output  
 Ratio: 8:1, 4:1, 2:1  
 Impedance: 9.6kCT : 600Ω, 4.8kCT : 150Ω  
 DC Resistance: (192Ω+192Ω) : 20Ω + 20Ω  
 Fitted with 150 mm flying leads  
 Gapped. Open frame package.



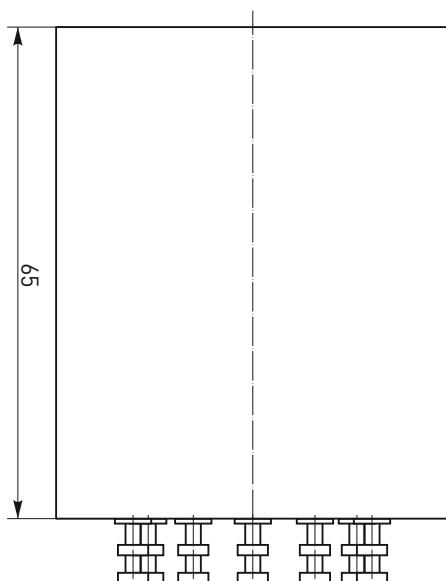
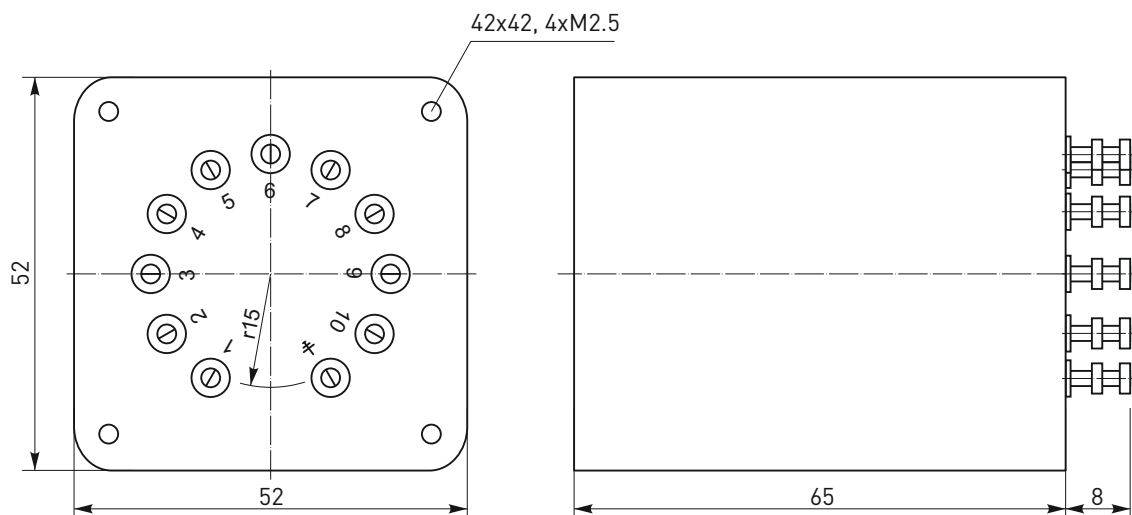
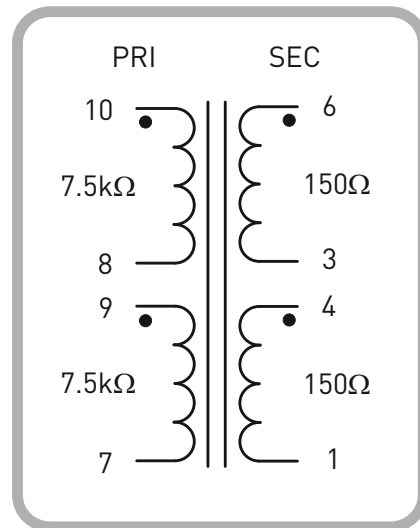
Audio transformer for Single Ended output  
Ratio: 8:1, 4:1, 2:1

Impedance: 9.6kCT : 600Ω, 4.8kCT : 150Ω

DC Resistance: (192Ω+192Ω) : 20Ω + 20Ω

Fitted with 150 mm flying leads

Gapped. Clamped.



Audio transformer for Single Ended output  
Ratio: 8:1, 4:1, 2:1

Impedance: 9.6kCT : 600Ω, 4.8kCT : 150Ω

DC Resistance: (192Ω+192Ω) : 20Ω + 20Ω

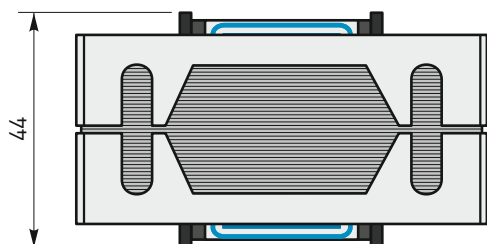
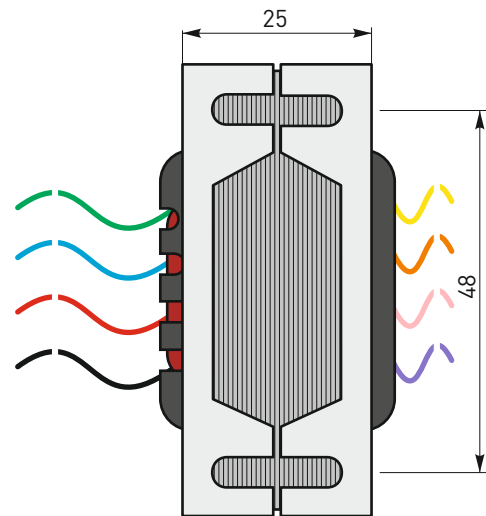
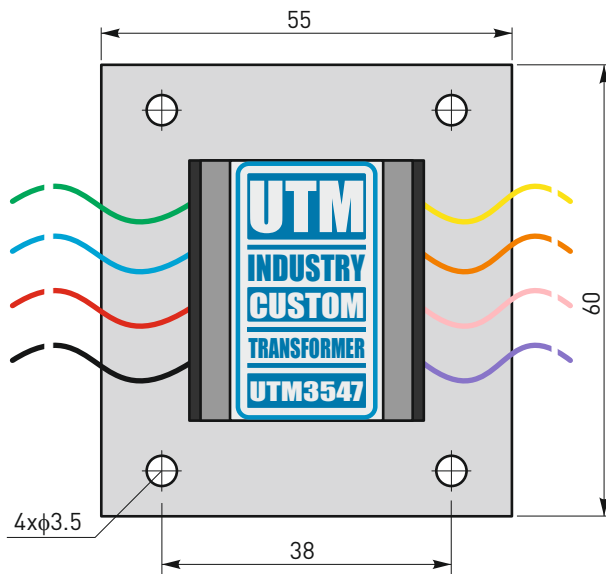
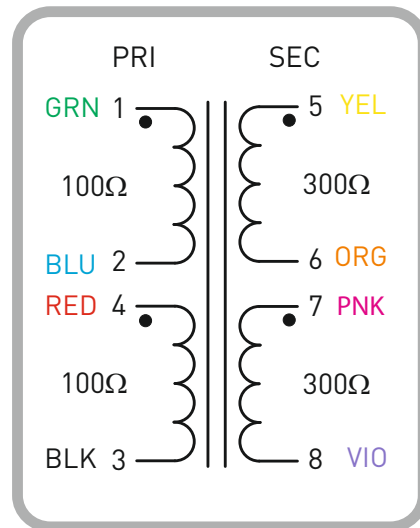
Boxed, Gapped. Clamped.

**UTM3590<sub>B</sub>**  
utmindustry.com

# UTM INDUSTRY

Professional Audio Transformers

200:600  
Line Output



Low profile, Output Audio transformer  
Ratio: 1.25:1, 1:1.6, 1:4

Impedance: 200Ω : 600Ω, 200Ω : 150Ω,  
50Ω : 600Ω, 50Ω : 150Ω

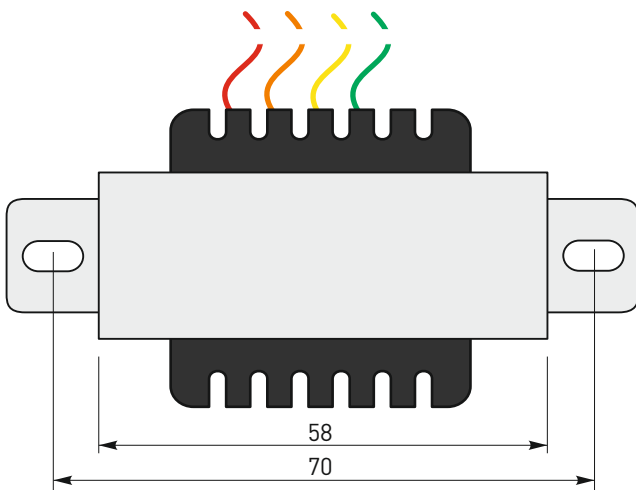
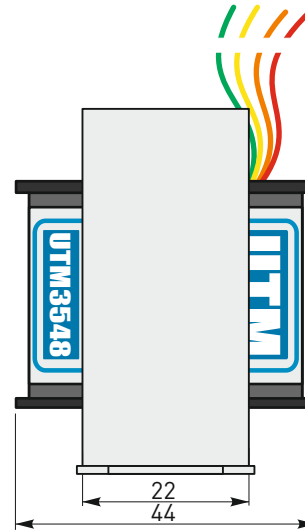
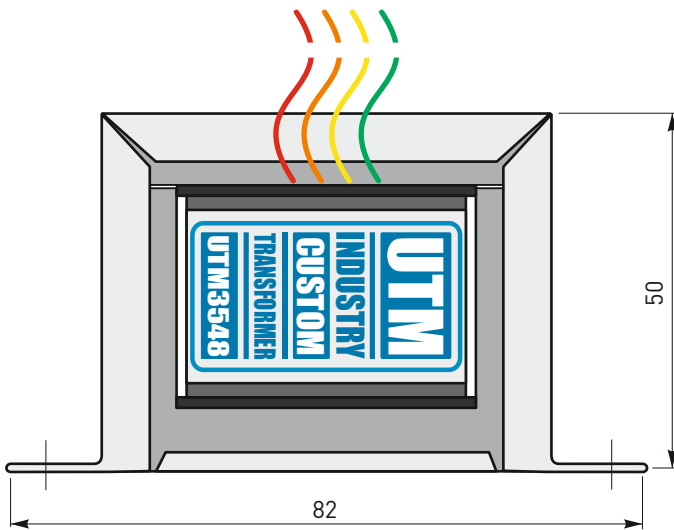
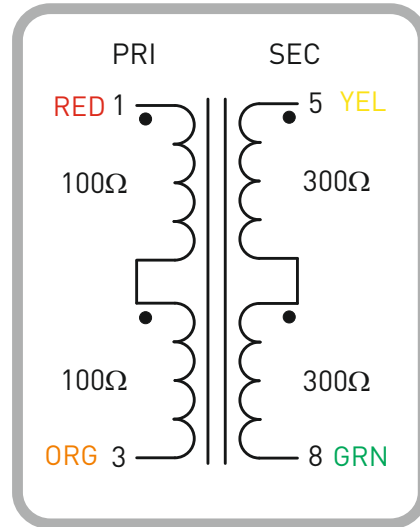
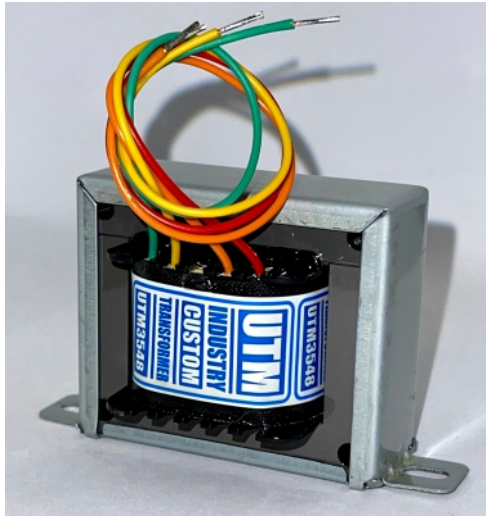
DC Resistance: (6Ω+6Ω) : (22Ω + 22Ω)

Fitted with 150 mm flying leads  
Gapped. Open frame package.

# UTM INDUSTRY

Professional Audio Transformers

200:600  
Line Output



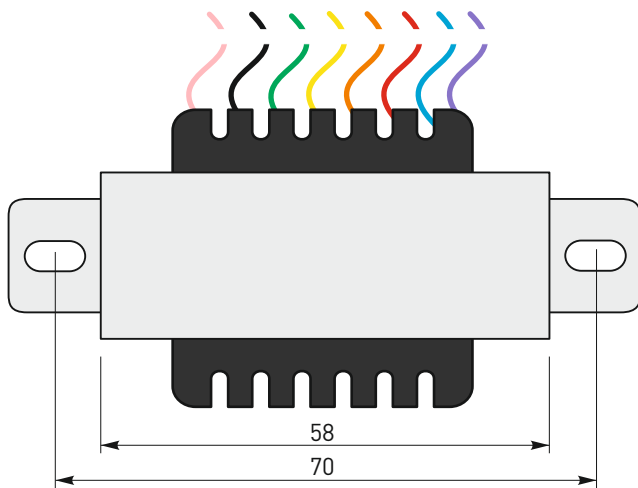
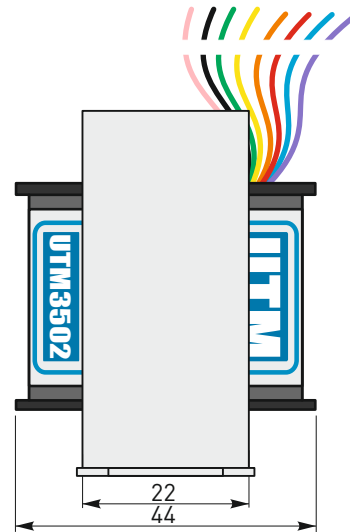
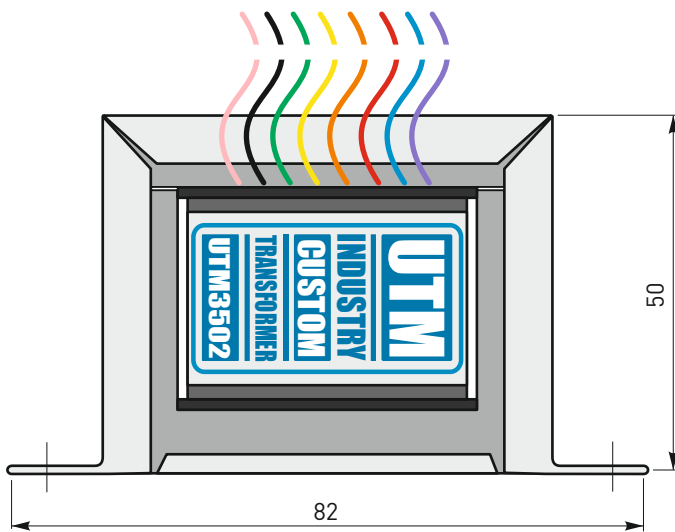
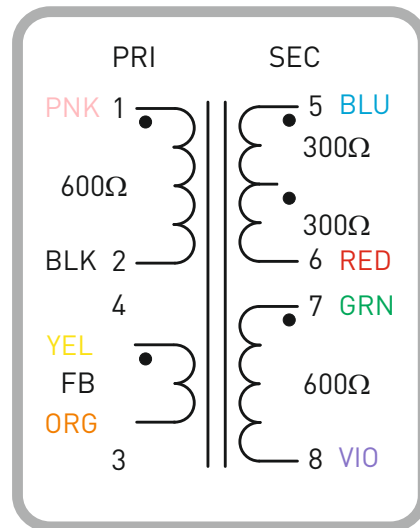
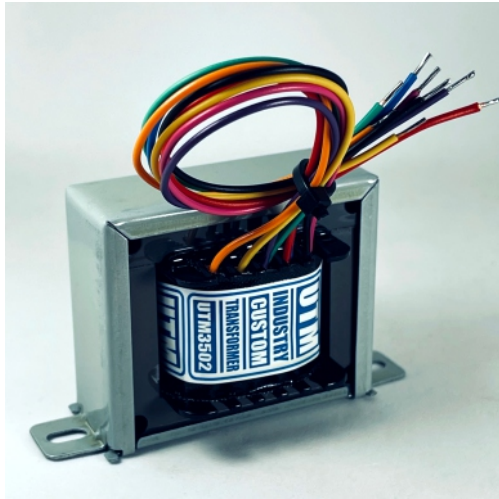
Output Audio transformer  
Ratio: 1:1.6  
Impedance: 200Ω : 600Ω,  
DC Resistance: 13Ω : 48Ω  
Fitted with 150 mm flying leads  
Gapped. Clamped.



# UTM INDUSTRY

Professional Audio Transformers

600:600:600:FB  
1176 A-E Output



Output Audio transformer

Ratio: 1:1:1:FB

Impedance: 600Ω : 600Ω : 600Ω : FB,

DC Resistance: 35Ω : 35Ω : 260Ω: FB

Fitted with 150 mm flying leads

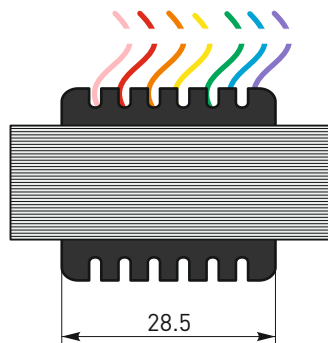
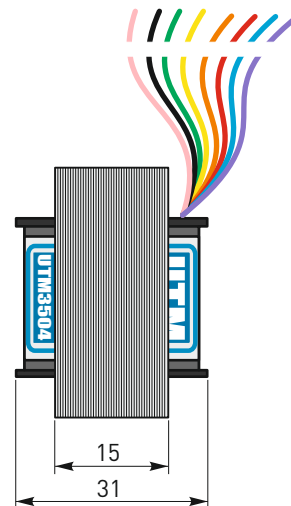
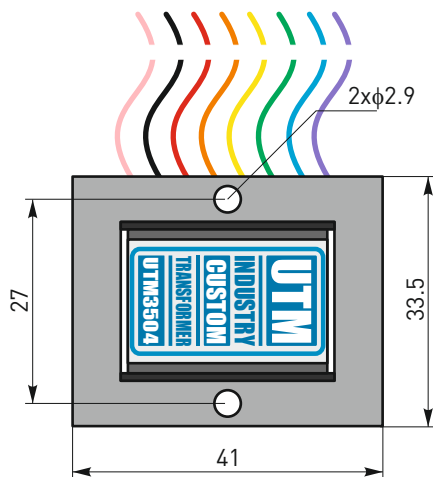
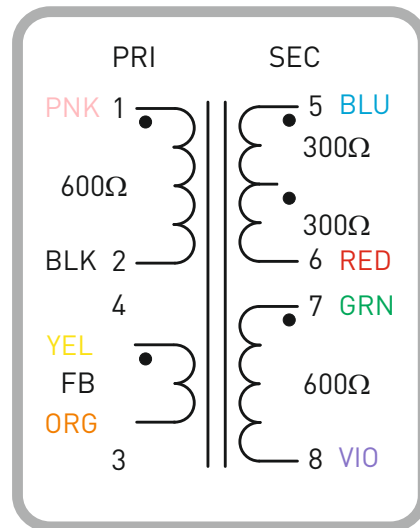
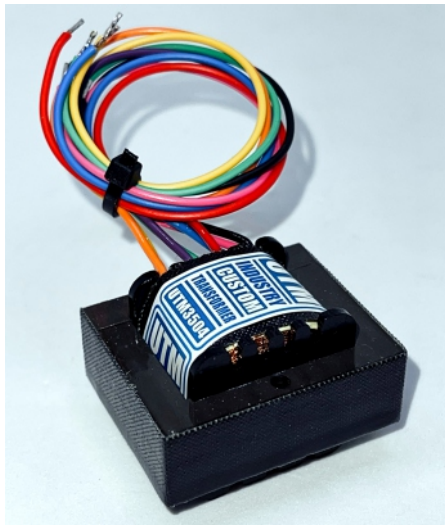
Gapped. Clamped.



# UTM INDUSTRY

Professional Audio Transformers

600:600:600:FB  
1176 A-E Output



Low profile, Output Audio transformer  
Ratio: 1:1:1:FB

Impedance: 600Ω : 600Ω : 600Ω : FB,

DC Resistance: 35Ω : 35Ω : 230Ω: FB

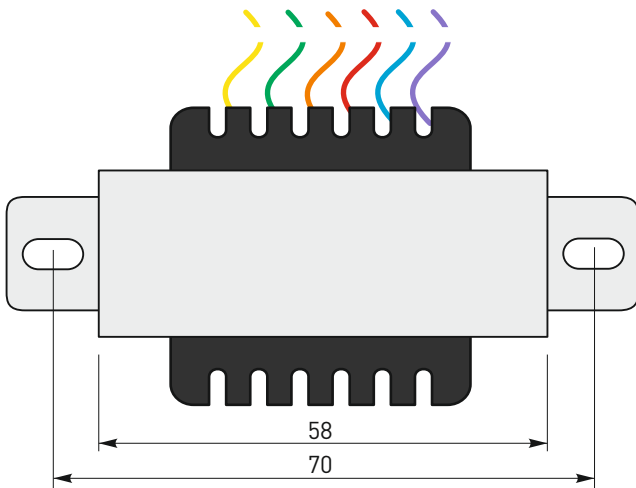
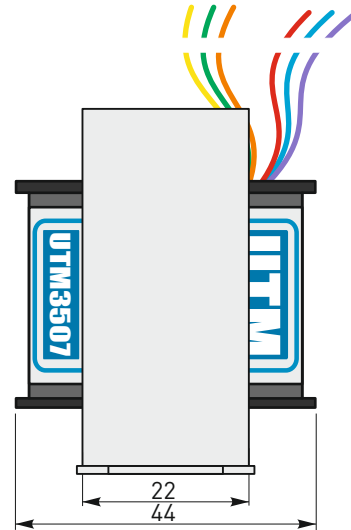
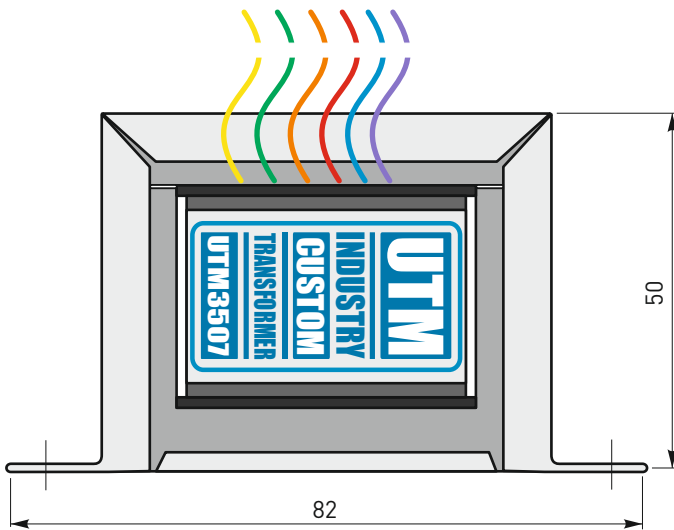
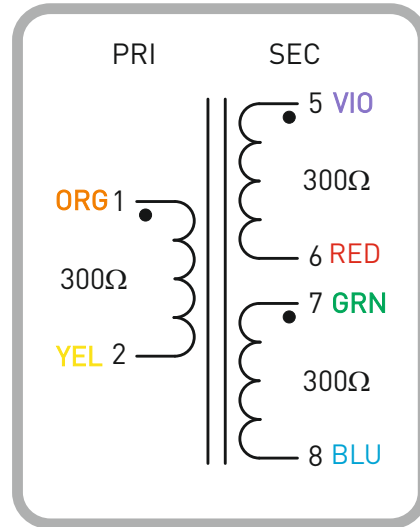
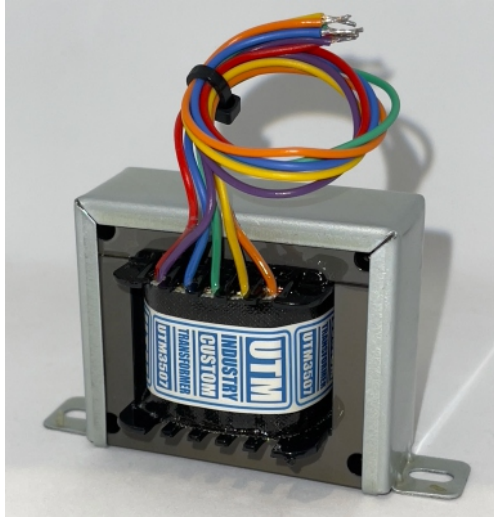
Fitted with 150 mm flying leads

Gapped. Suitable for 500-series modules.

# UTM INDUSTRY

Professional Audio Transformers

300:600  
1176 F-H Output

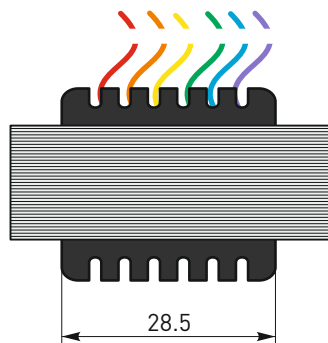
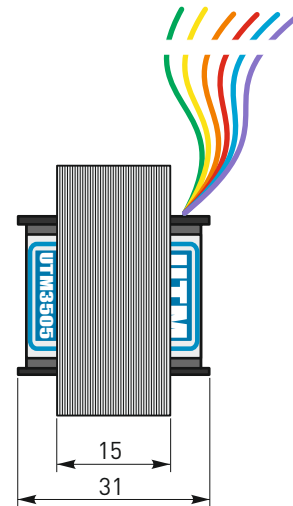
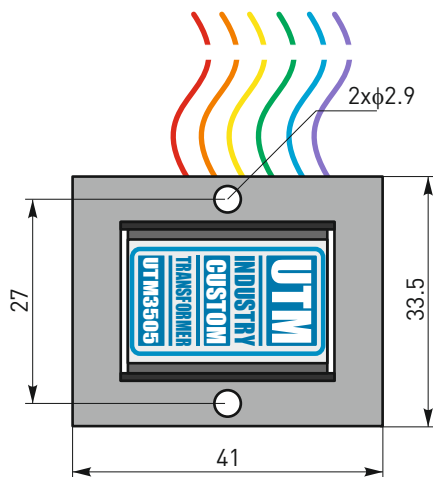
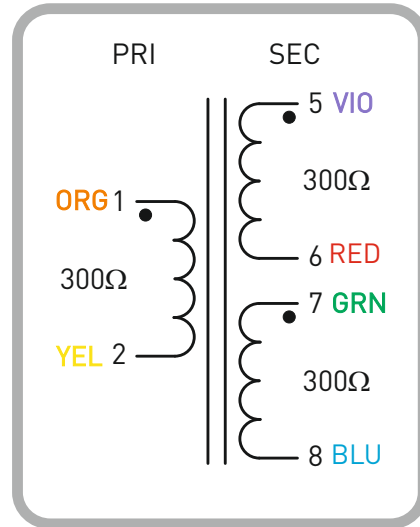


Output Audio transformer  
Ratio: 1:2  
Impedance: 300Ω : 600Ω,  
DC Resistance: 35Ω : 70Ω  
Fitted with 150 mm flying leads  
Ungapped. Clamped.

# UTM INDUSTRY

Professional Audio Transformers

300:600  
1176 F-H Output



Output Audio transformer

Ratio: 1:2

Impedance: 300Ω : 600Ω,

DC Resistance: 30Ω : 60Ω

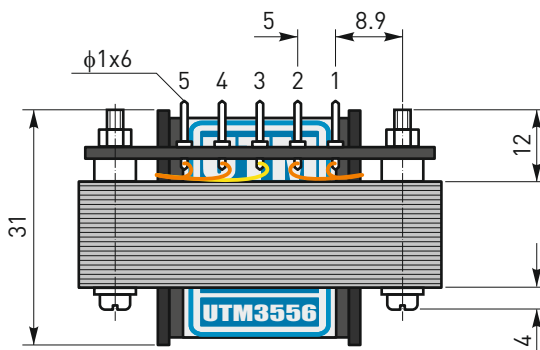
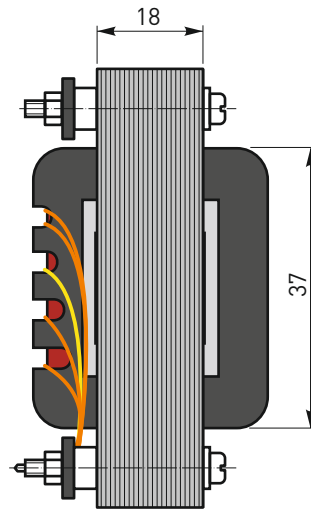
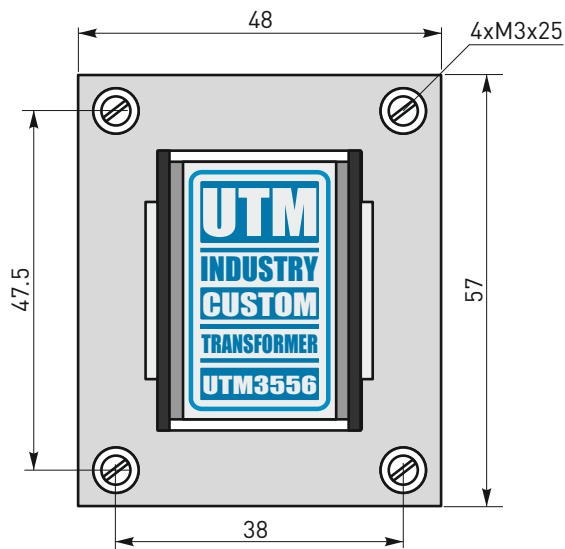
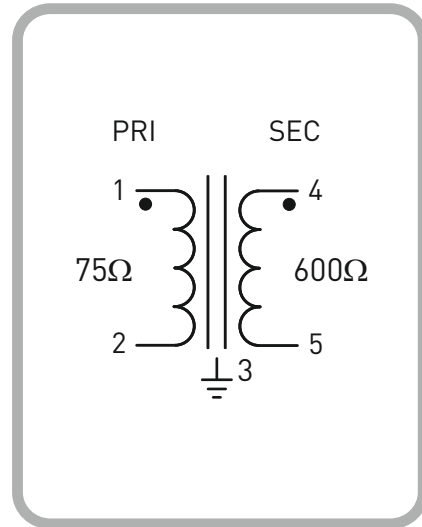
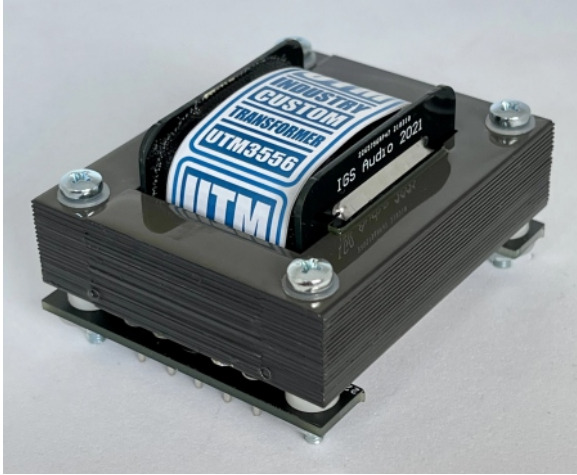
Fitted with 150 mm flying leads

Ungapped. Suitable for 500-series modules

# UTM INDUSTRY

Professional Audio Transformers

75:600  
Line Output



Step up, low profile Output transformer

Ratio: 1:3

Gain: +8dB

Impedance: 75Ω : 600Ω

DC Resistance: 3Ω : 30Ω

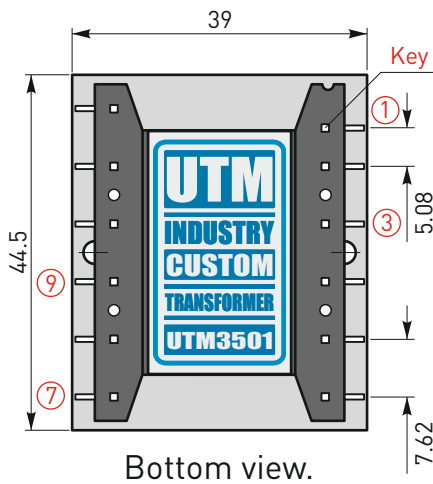
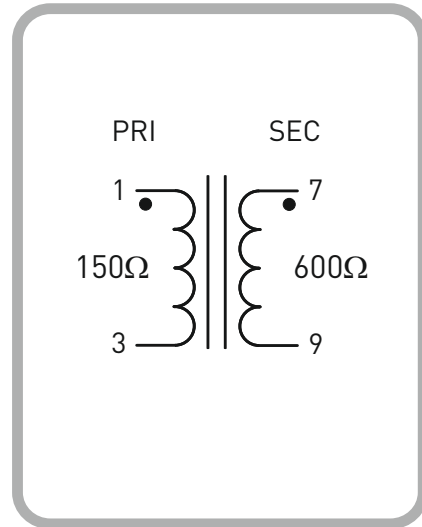
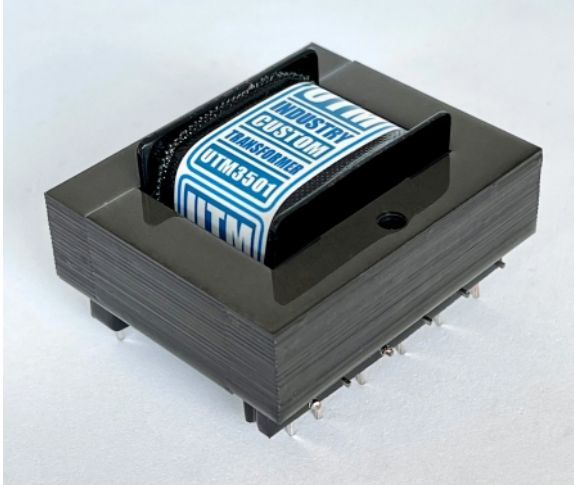
PCB Pins

Ungapped.

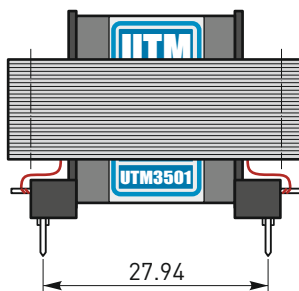
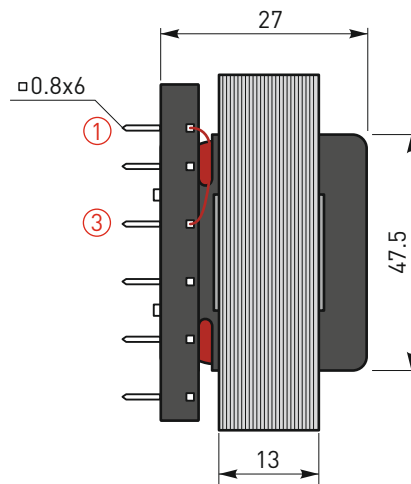
# UTM INDUSTRY

Professional Audio Transformers

150:600  
Line Output



Bottom view.



Super low profile, Step up  
Output transformer

Ratio: 1:2

Gain: +6dB

Impedance: 150Ω : 600Ω

DC Resistance: 4Ω : 30Ω

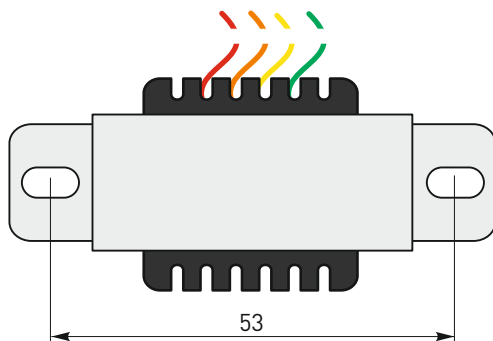
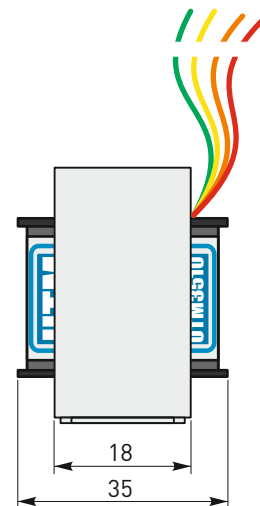
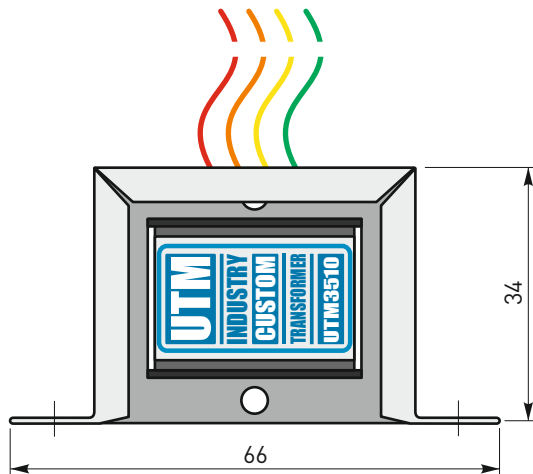
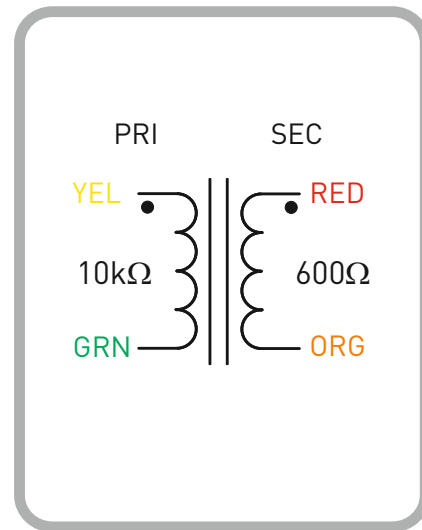
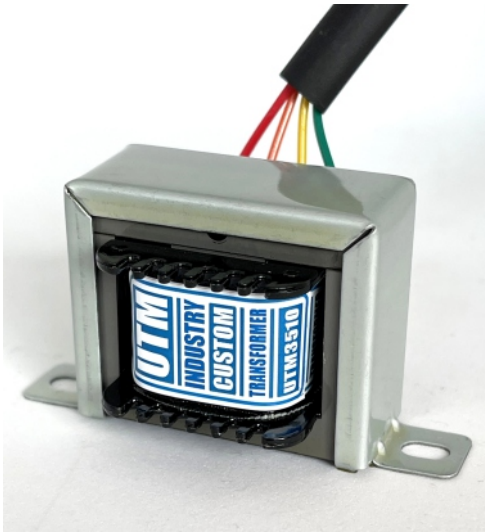
PCB Pins

Ungapped.

# UTM INDUSTRY

Professional Audio Transformers

10k:600  
Tube Output



Clamped, Step down,  
SRPP tube Output transformer  
Ratio: 4:1  
Gain: -12dB  
Impedance: 10kΩ : 600Ω  
DC Resistance: 103Ω : 30Ω  
Fitted with 150 mm flying leads  
Ungapped.

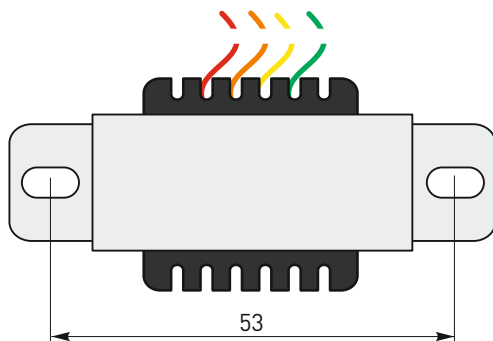
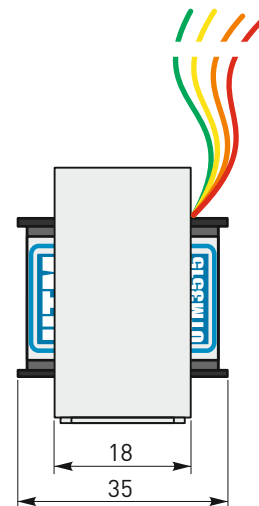
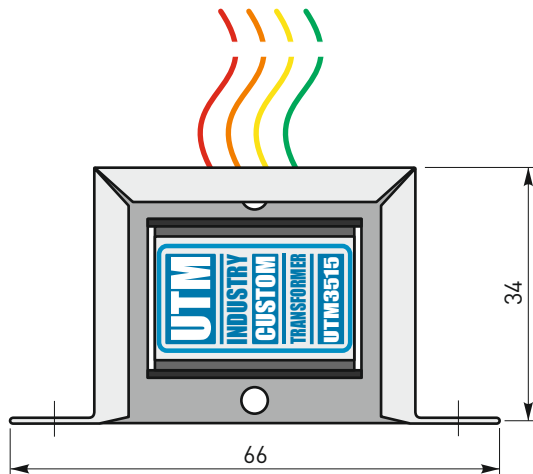
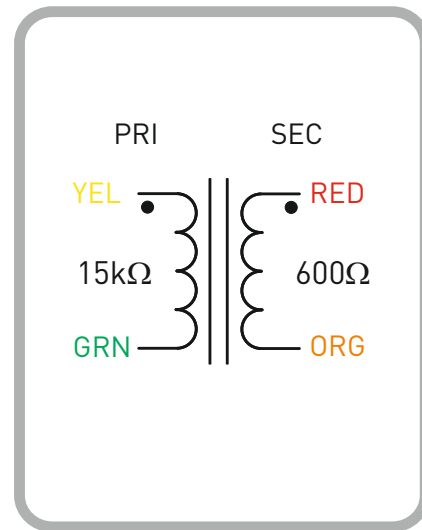
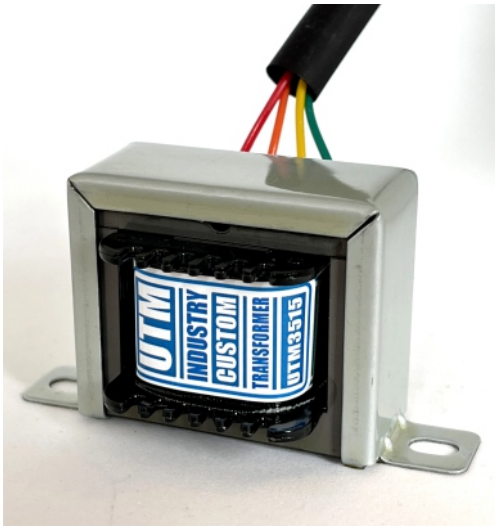
**UTM3510**  
utmindustry.com

Rev. 2.C. Scale 1:1. 31.03.2022

# UTM INDUSTRY

Professional Audio Transformers

15k:600  
LA2A Output



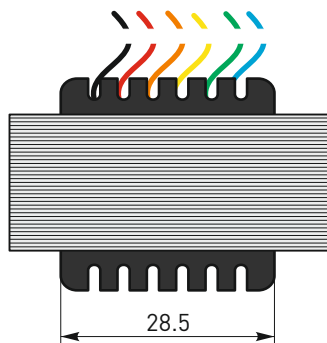
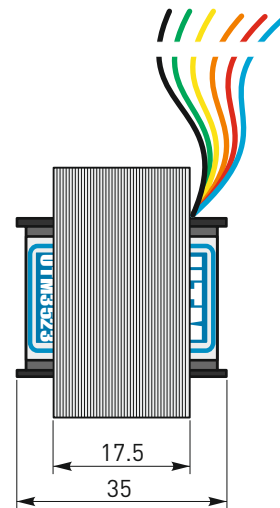
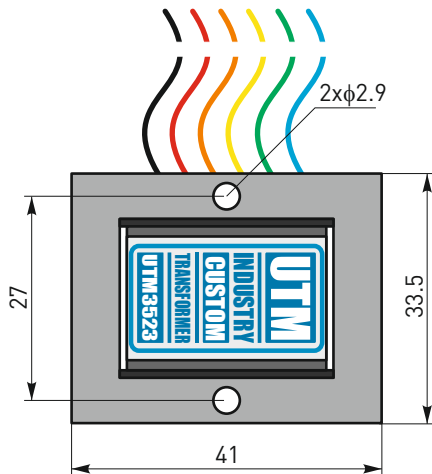
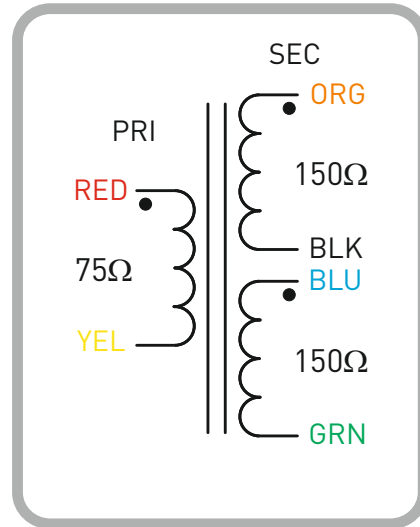
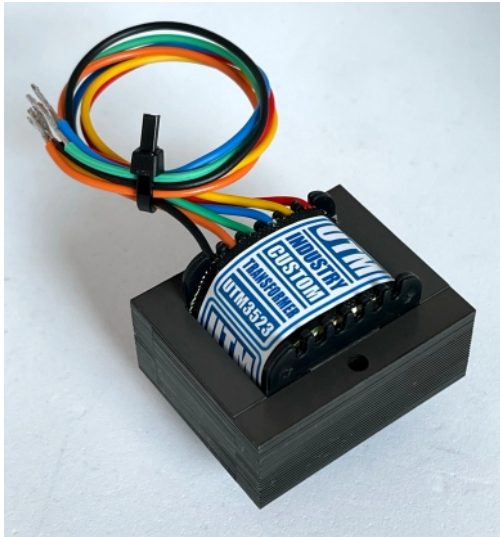
Clamped, Step down,  
LA2A style Output transformer  
Ratio: 5:1  
Gain: -15dB  
Impedance: 15kΩ : 600Ω  
DC Resistance: 280Ω : 53Ω  
Fitted with 150 mm flying leads  
Ungapped.



# UTM INDUSTRY

Professional Audio Transformers

75:300  
API Output

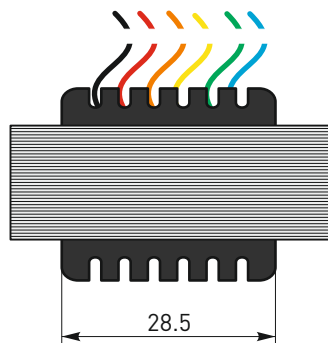
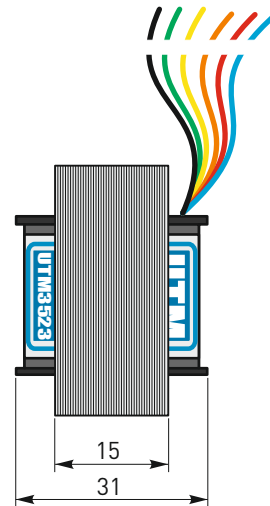
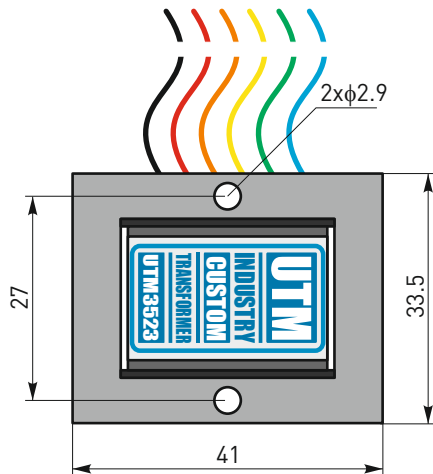
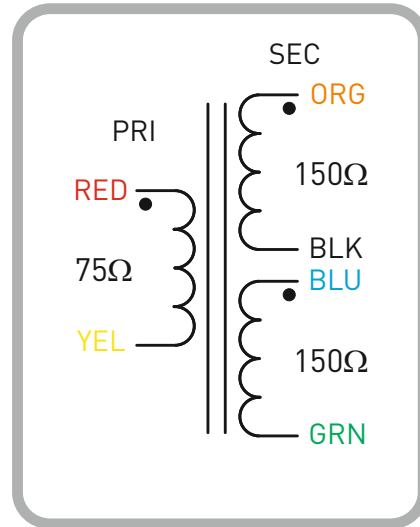
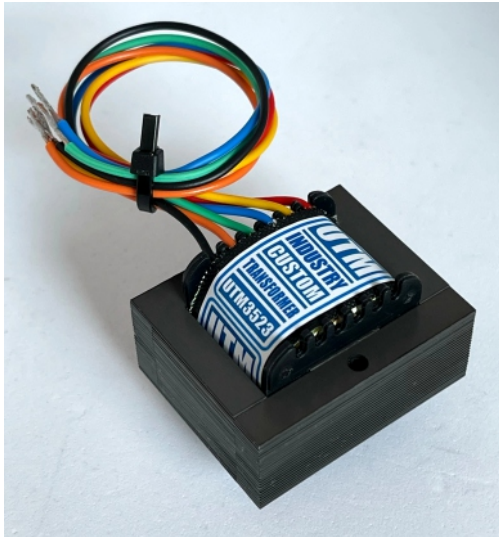


Screw mounted, Step up,  
API style, Output transformer  
Ratio: 1:1, 1:2  
Gain: 0dB, +4dB  
Impedance: 75Ω : 300Ω  
DC Resistance: 10Ω : (20Ω + 20Ω)  
Fitted with 150 mm flying leads  
Ungapped.

# UTM INDUSTRY

Professional Audio Transformers

75:300  
API Output



Low profile, Screw mounted, Step up, API style, Output transformer

Ratio: 1:1, 1:2

Gain: 0dB, +4dB

Impedance: 75Ω : 300Ω

DC Resistance: 10Ω : (20Ω + 20Ω)

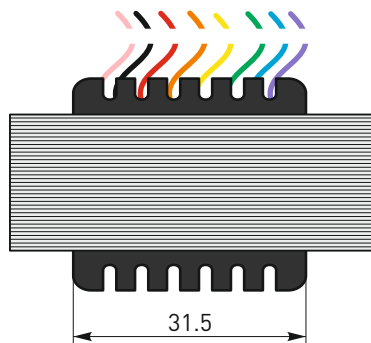
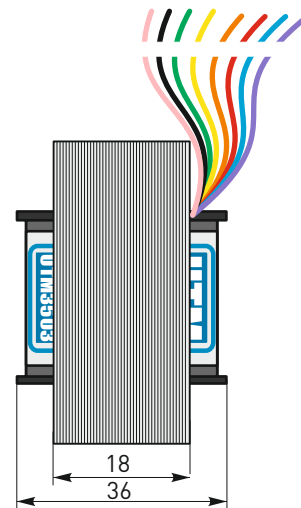
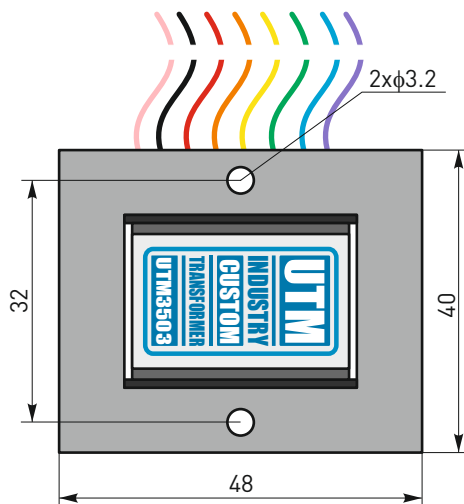
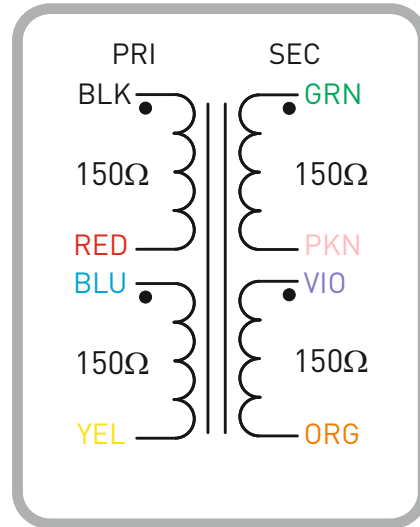
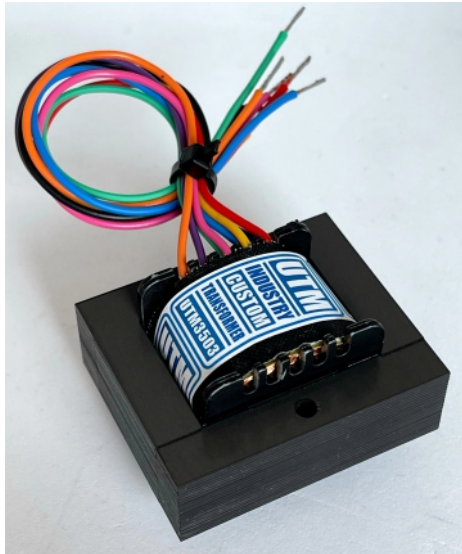
Fitted with 150 mm flying leads

Ungapped.

# UTM INDUSTRY

Professional Audio Transformers

300:300  
API Output

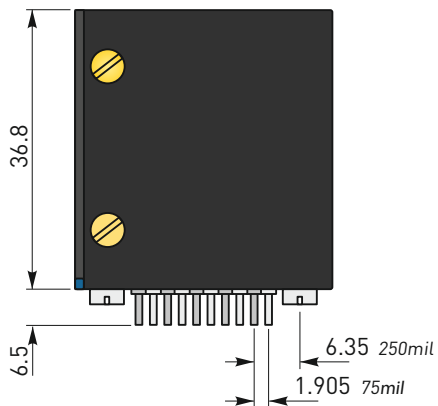
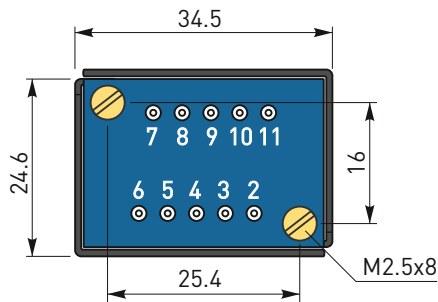
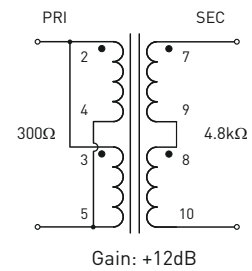
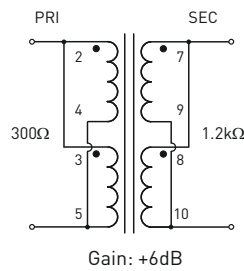
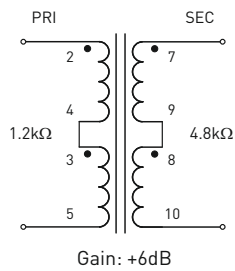
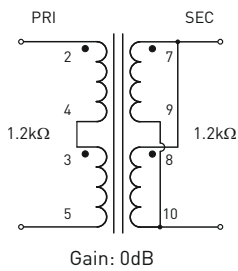
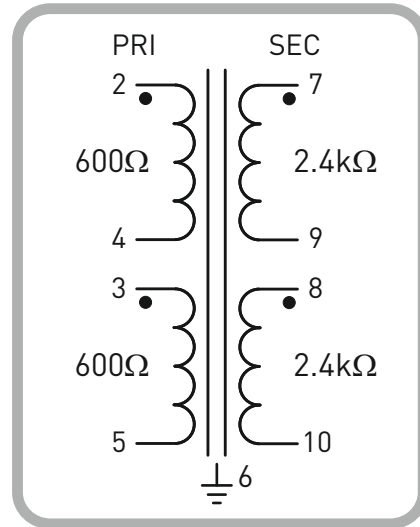


Screw mounted, Step up,  
API style, Output transformer  
Ratio: 1:1, 1:2, 2:1  
Gain: 0dB, +4dB, -4dB  
Impedance: 75Ω : 300Ω, 300Ω : 300Ω  
DC Resistance: (20Ω + 20Ω) : (20Ω + 20Ω)  
Fitted with 150 mm flying leads  
Ungapped.

# UTM INDUSTRY

Professional Audio Transformers

1.2k:4.8k  
Mic Input



Microphone Level Input transformer

Ratio: 1:1, 1:2, 1:4

Gain: 0dB, +6dB, +12dB

Impedance: 300kΩ : 4.8kΩ, 1.2kΩ : 4.8Ω,

300Ω : 1.2Ω, 1.2kΩ : 1.2Ω,

DC Resistance: (26Ω + 26Ω) : (72Ω + 72Ω)

PCB Pins

Also works oposite.

UTM Industry, designed and made in Europe  
All Right Reserved. 2001 - 2022

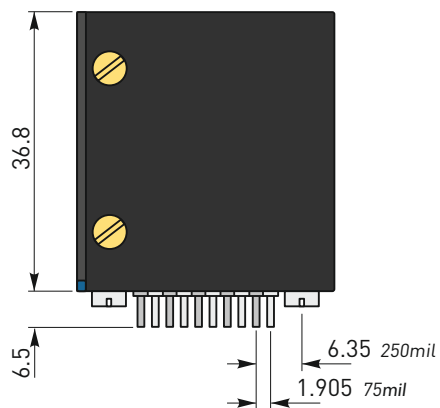
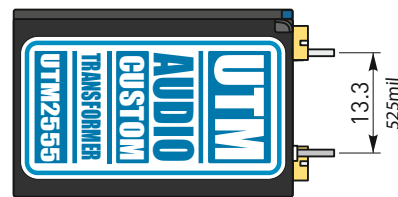
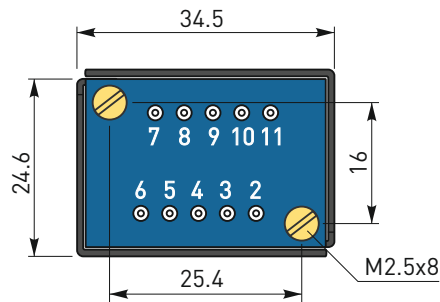
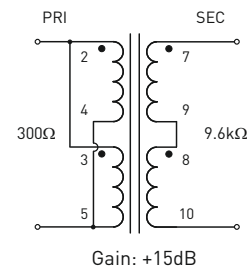
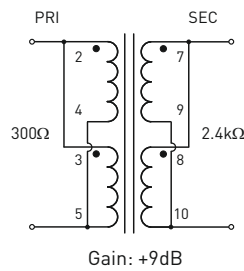
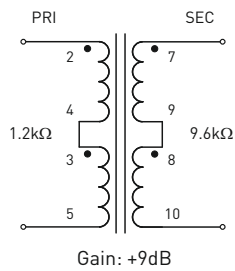
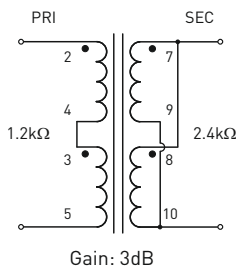
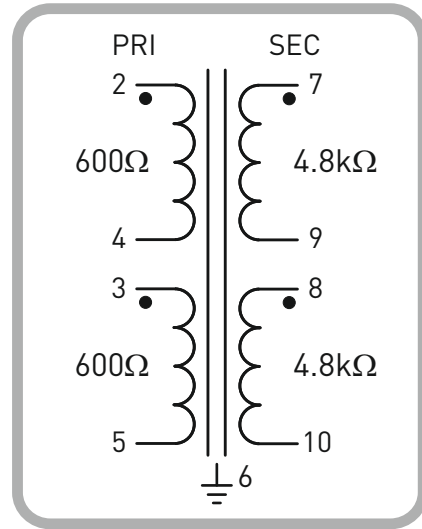
**UTM2545**  
utmindustry.com

Rev. 2.C. Scale 1:1. 31.03.2022

# UTM INDUSTRY

Professional Audio Transformers

1.2k:10k  
Mic Input



Hi Ratio, Microphone Level Input transformer

Ratio: 1:2, 1:2.8, 1:5.6

Gain: +3dB, +9dB, 15dB

Impedance: 300kΩ : 4.8kΩ, 1.2kΩ : 4.8kΩ,

300Ω : 1.2kΩ, 1.2kΩ : 1.2kΩ,

DC Resistance: (40Ω + 40Ω) : (250Ω + 250Ω)

PCB Pins

Also works oposite.

UTM Industry, designed and made in Europe  
All Right Reserved. 2001 - 2022

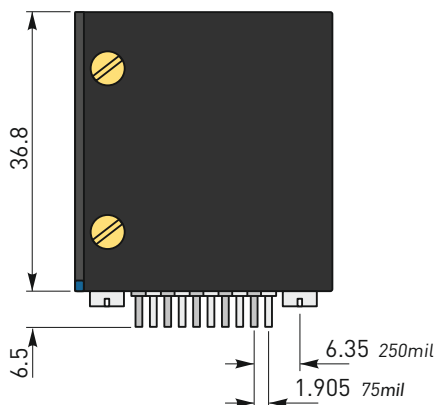
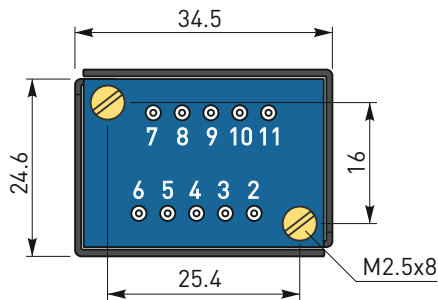
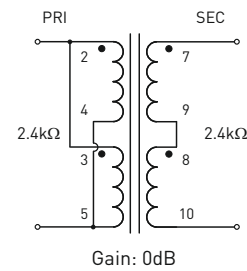
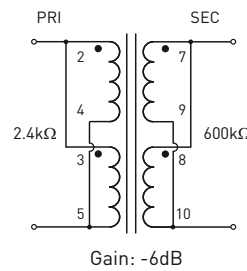
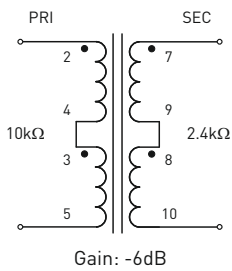
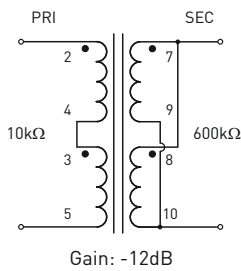
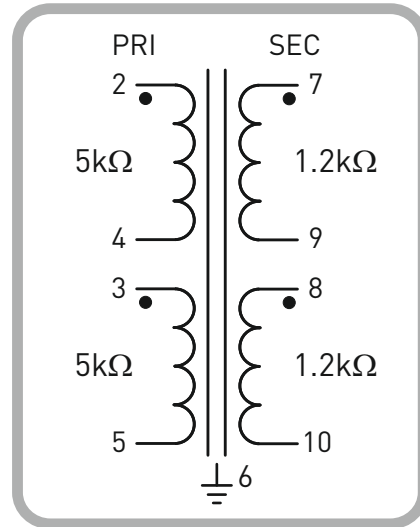
**UTM2555**  
utmindustry.com

Rev. 2.C. Scale 1:1. 31.03.2022

# UTM INDUSTRY

Professional Audio Transformers

10k:2.4k  
Line Input



UTM Industry, designed and made in Europe  
All Right Reserved. 2001 - 2022

Line Level Input transformer

Ratio: 4:1, 2:1, 1:1

Gain: -12dB, -6dB, 0dB

Impedance: 10kΩ : 600Ω, 10kΩ : 2.4Ω,  
2.4kΩ : 2.4Ω, 2.4kΩ : 600Ω,

DC Resistance: (117Ω + 117Ω) : (52Ω + 52Ω)

PCB Pins

Also works oposite.

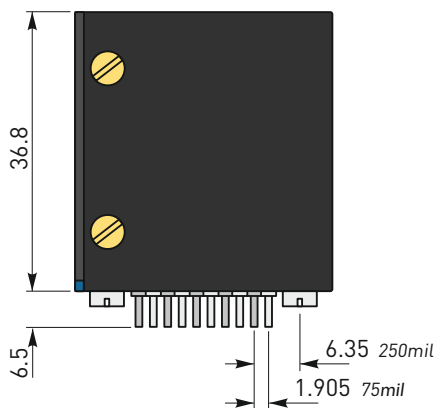
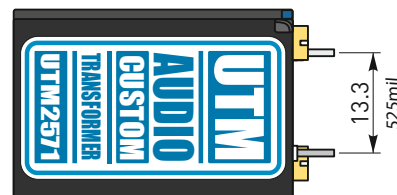
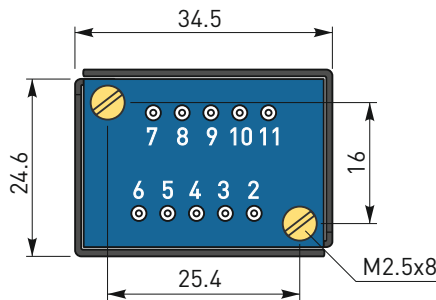
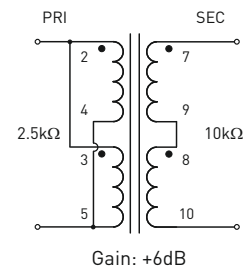
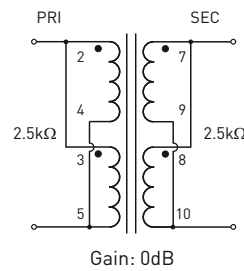
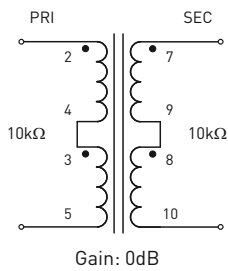
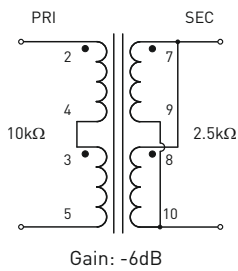
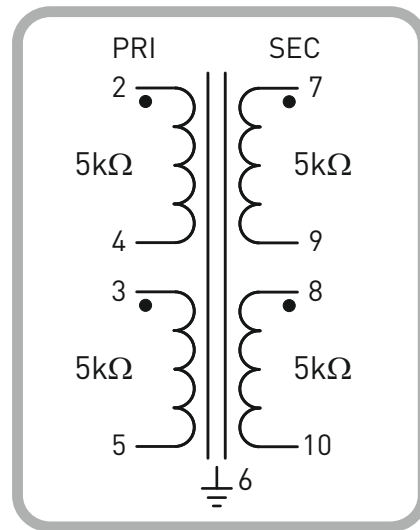
**UTM2546**  
utmindustry.com

Rev. 2.C. Scale 1:1. 31.03.2022

# UTM INDUSTRY

Professional Audio Transformers

10k:10k  
Line Input



UTM Industry, designed and made in Europe  
All Right Reserved. 2001 - 2022

Hi Impedance, Line Level Input transformer  
Ratio: 2:1, 1:1, 1:2  
Gain: -6B, 0dB, +6dB  
Impedance: 10kΩ : 2.5Ω, 10kΩ : 10kΩ,  
2.5kΩ : 2.5Ω, 2.4kΩ : 10kΩ,  
DC Resistance: (330Ω + 330Ω) : (400Ω + 400Ω)  
PCB Pins  
Also works oposite.

**UTM2571**  
utmindustry.com

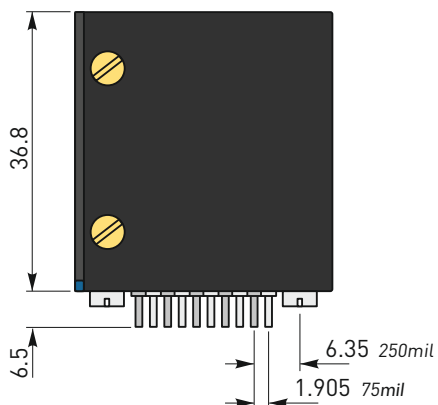
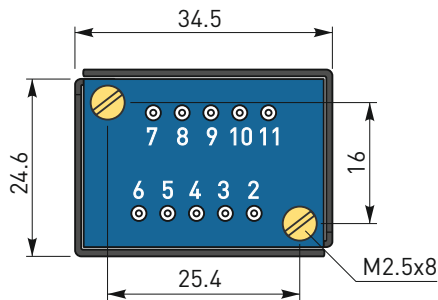
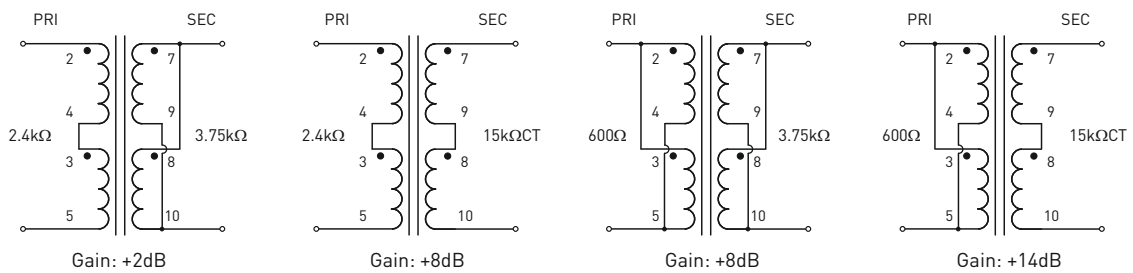
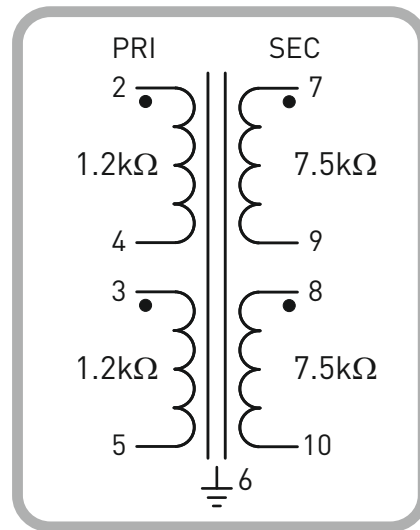
Rev. 2.C. Scale 1:1. 31.03.2022



# UTM INDUSTRY

Professional Audio Transformers

600:15kCT  
Line Input



Vari-mu Input, Line Level Transformer

Ratio: 1:1.25, 1:2.5, 1:5

Gain: +2B, +8dB, +14dB

Impedance: 2.4kΩ : 3.5Ω, 2.4kΩ : 15kΩ,  
600Ω : 3.5Ω, 600Ω : 15kΩ,

DC Resistance: (10Ω + 10Ω) : (130Ω + 130Ω)

PCB Pins

Also works oposite.

UTM Industry, designed and made in Europe  
All Right Reserved. 2001 - 2022

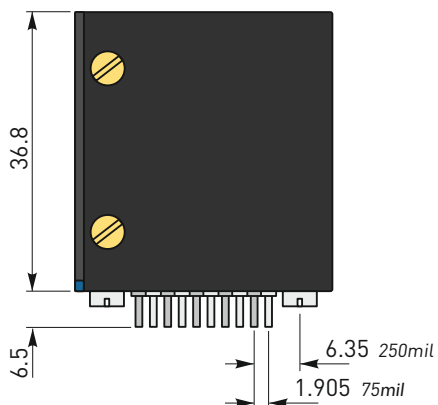
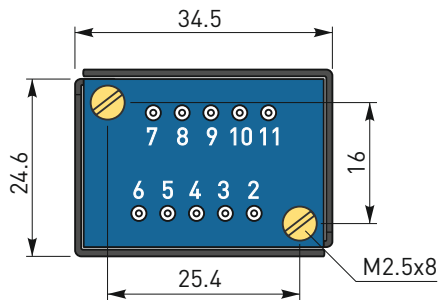
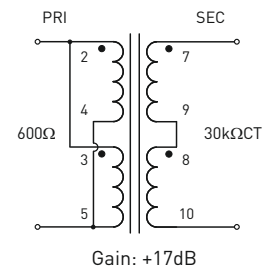
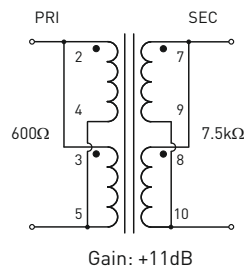
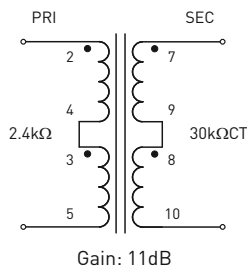
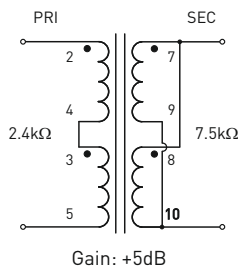
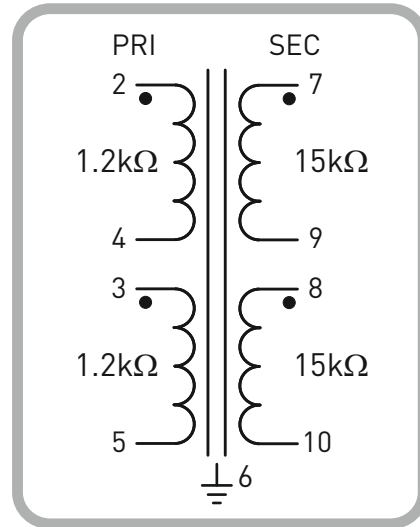
**UTM2581**  
utmindustry.com

Rev. 2.C. Scale 1:1. 31.03.2022

# UTM INDUSTRY

Professional Audio Transformers

600:30kCT  
Line Input



High Ratio, Vari-mu Line Level, Transformer Ratio: 1:1.8, 1:35, 1:7

Gain: +5B, +11dB, +18dB

Impedance: 2.4kΩ : 7.5Ω, 2.4kΩ : 30kΩ,  
600Ω : 7.5Ω, 600Ω : 30kΩ,

DC Resistance: (10Ω + 10Ω) : (550Ω + 550Ω)

PCB Pins

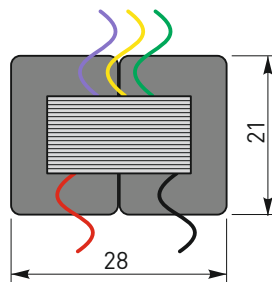
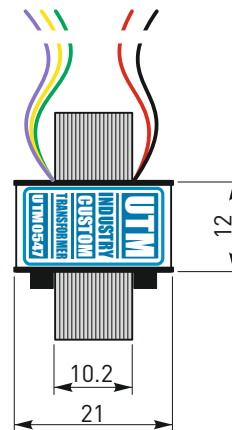
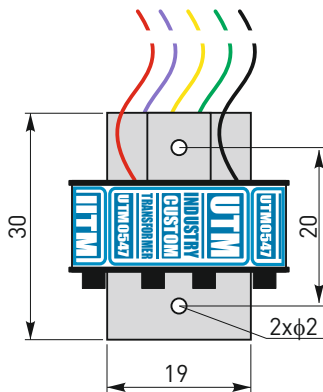
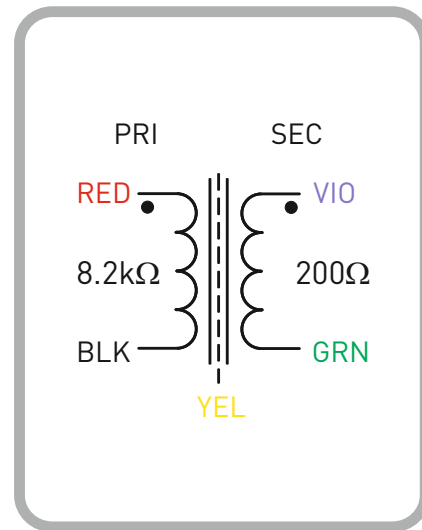
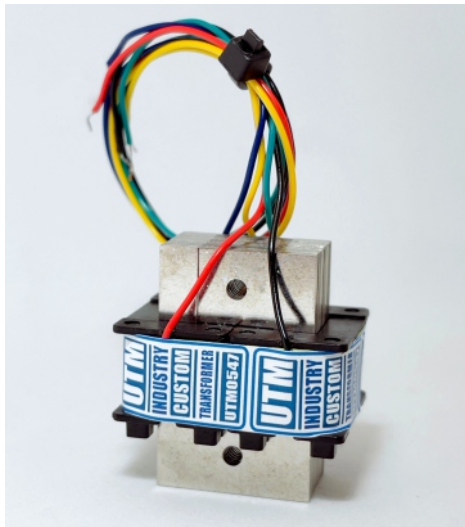
Also works oposite.

UTM Industry, designed and made in Europe  
All Rightst Reserved. 2001 - 2022

**UTM2582**  
utmindustry.com

Rev. 2.C. Scale 1:1. 31.03.2022

8.2k:200  
Mic Output



High Nickel, Microphone Output Transformer

Ratio: 6:1

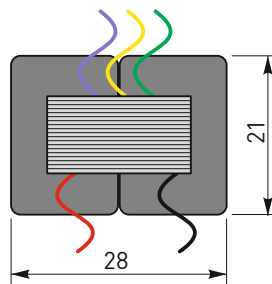
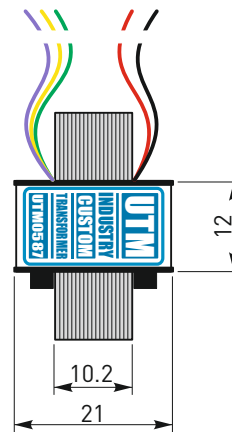
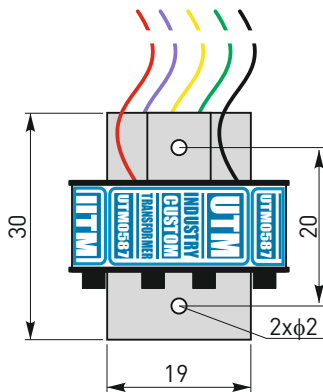
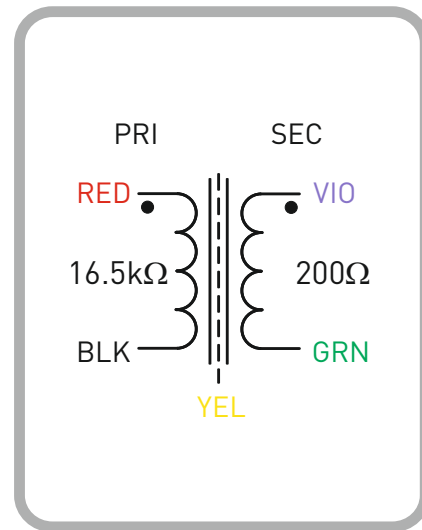
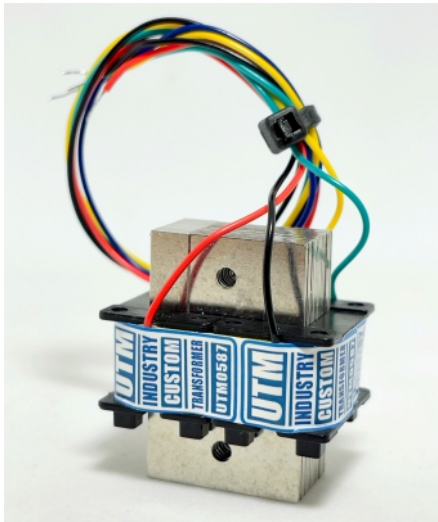
Gain: -18dB

Impedance: 8.2kΩ : 200Ω

DC Resistance: 390Ω : 34Ω

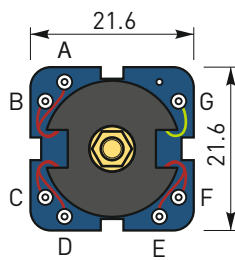
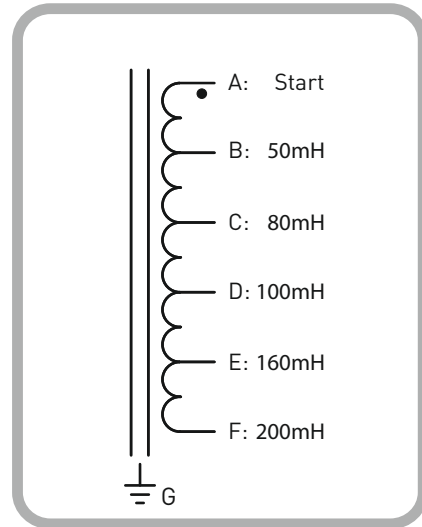
Fitted with 150 mm flying leads.

16.5k:200  
Mic Output

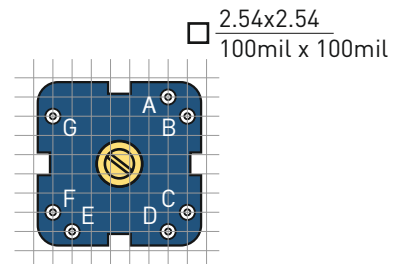


High Nickel, Microphone Output Transformer  
Ratio: 9.5:1  
Gain: -20dB  
Impedance: 16.5kΩ : 200Ω  
DC Resistance: 400Ω : 22Ω  
Fitted with 150 mm flying leads.

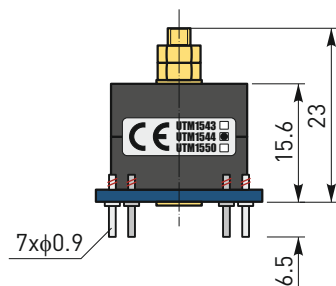
## Multi Tapped Inductor



TOP View



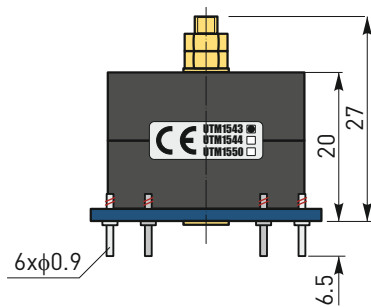
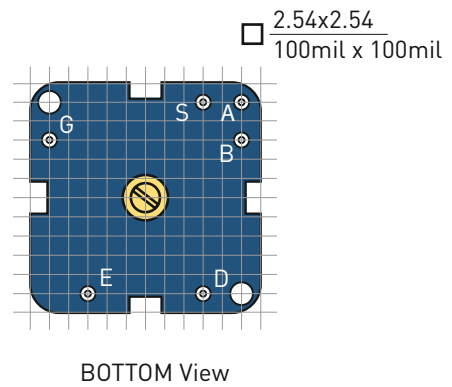
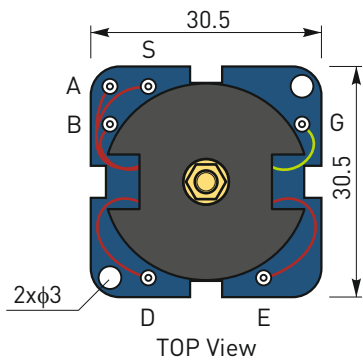
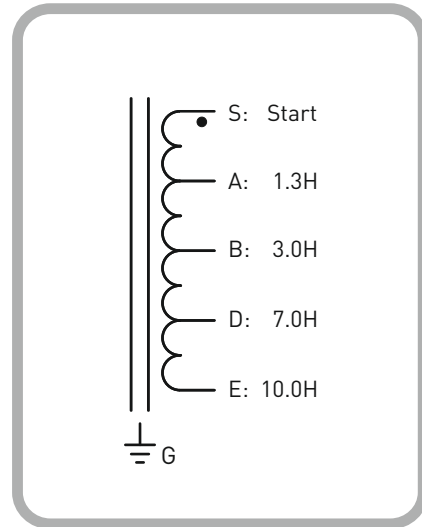
BOTTOM View



# UTM INDUSTRY

Professional Audio Transformers

## Multi Tapped Inductor



## Multi Tapped Inductor

