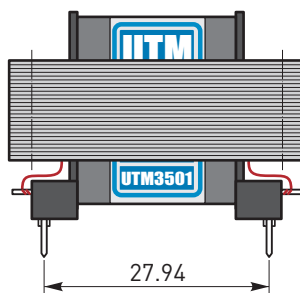
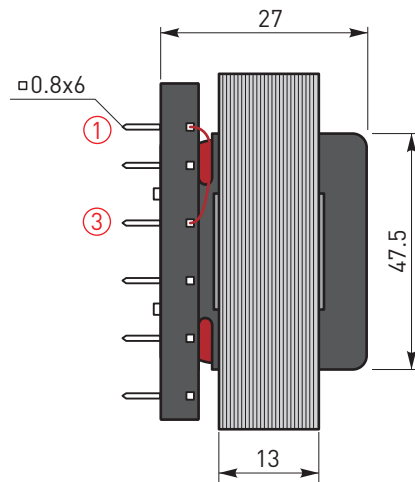
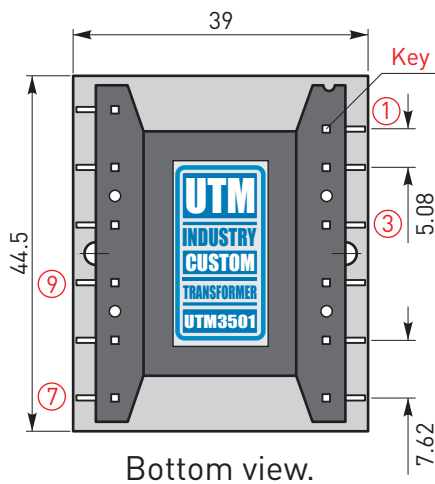
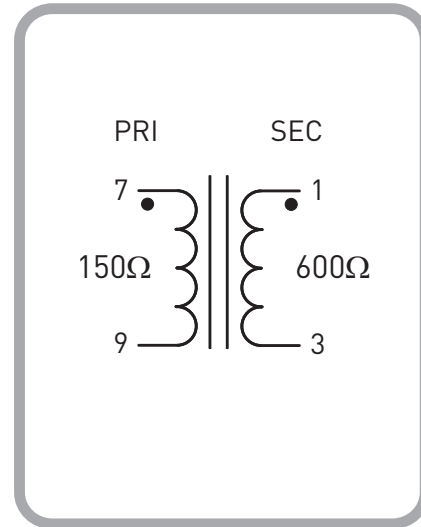
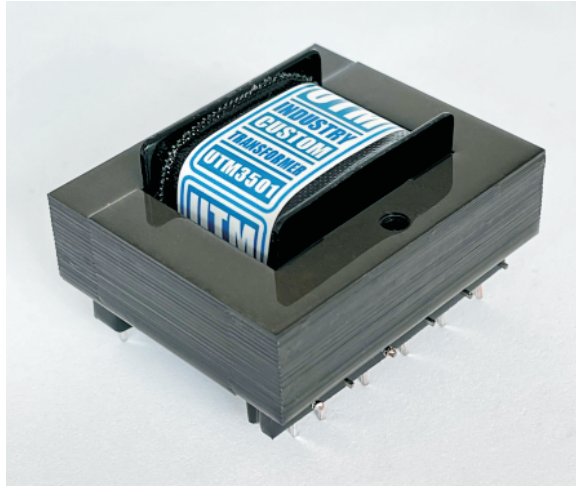


UTM INDUSTRY

Professional Audio Transformers

150:600
Line Output



Super low profile, Step up
Output transformer
Ratio: 1:2
Gain: +6dB
Impedance: 150Ω : 600Ω
DC Resistance: 6Ω : 25Ω
PCB Pins
Ungapped.