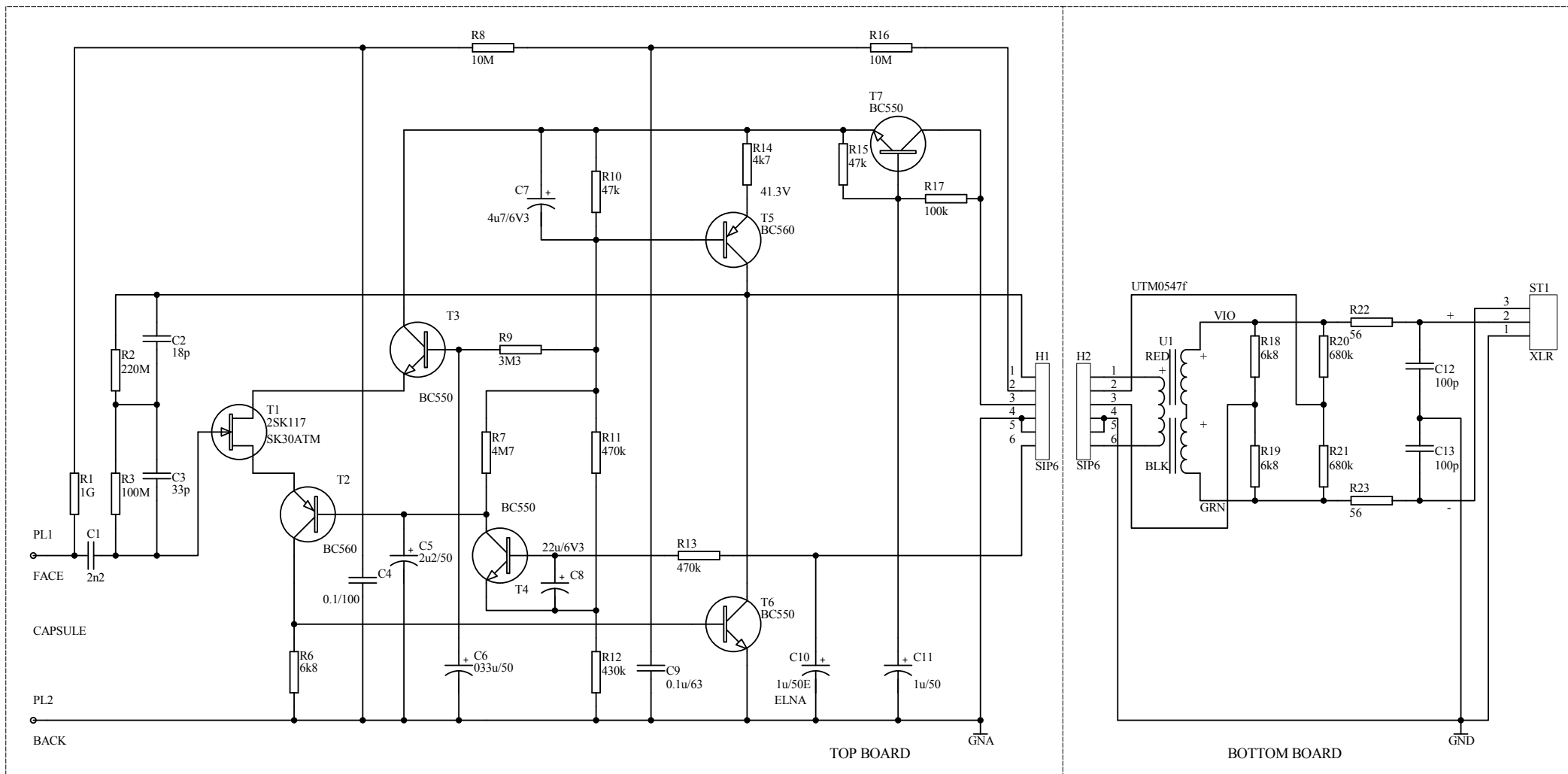


1

2

3

4



TOP BOARD

BOTTOM BOARD

Title				UTM47LB			
Size	Number	Date:		Revision			
A4		7-Feb-2023		15.12.2022		1.1	
File:				Sheet of		Drawn By:	
X:\U47LB\SCH-PCB\U47LB2.SCH				1		IGS Audio	

1

2

3

4