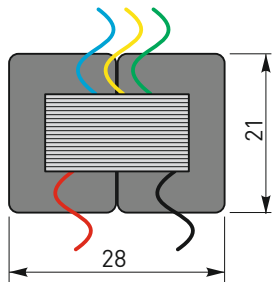
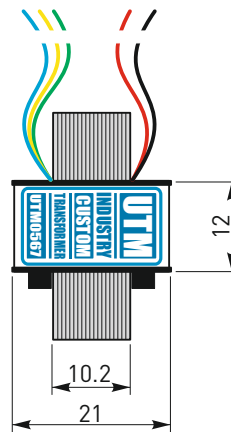
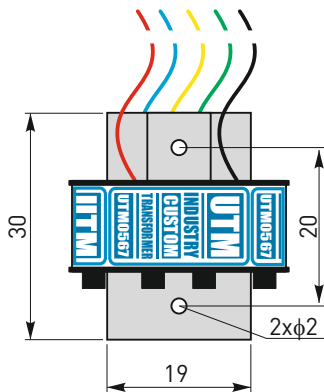
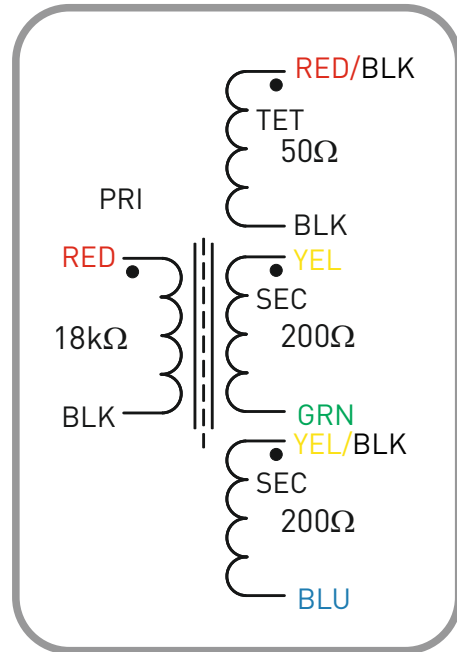
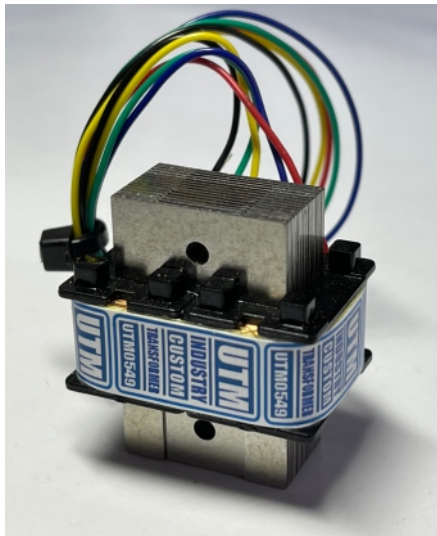


18k:200:50
Mic Output



High Nickel, Microphone Output Transformer
 Ratio: 22:1, 6.9:1
 Gain: -24dB, -18dB
 Impedance: 18kΩ : 200Ω : 50Ω
 DC Resistance: 1kΩ : 62Ω : 22Ω
 Fitted with 150 mm flying leads.