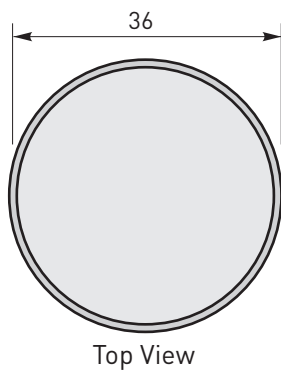
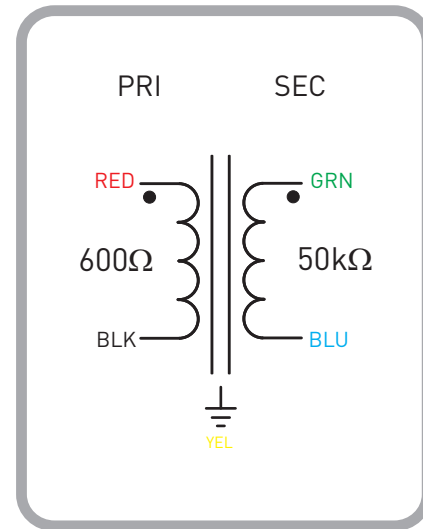


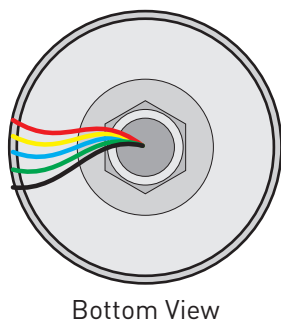
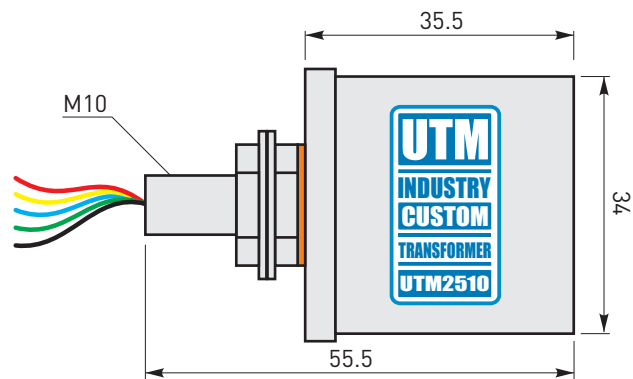
UTM INDUSTRY

Professional Audio Transformers

600:50k
Mic/Line Input



Top View



Bottom View

Hi Ratio, Microphone/Line Level Input transformer
Ratio: 1:9.1
Gain: 18dB
Impedance: 600Ω :50kΩ,
DC Resistance: 30Ω : 280Ω
Fitted with 150 mm flying leads
Mu-Metal can, thread M10
Also works oposite.

UTM2510
utmindustry.com