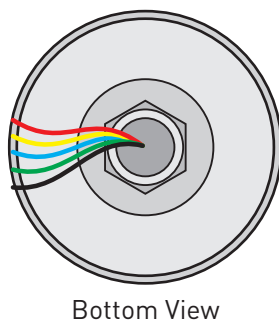
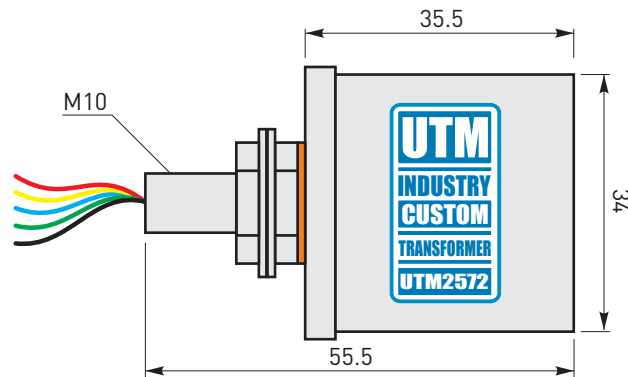
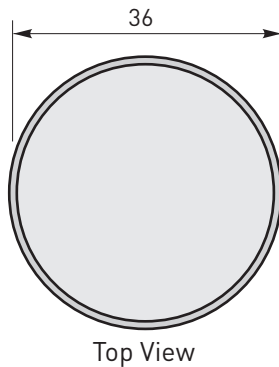
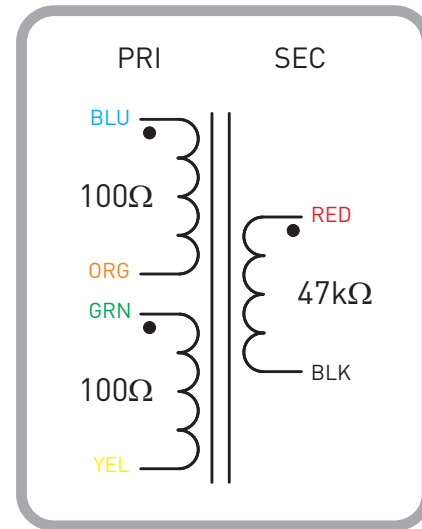


50 / 200:47k  
Mic/Line Input



Hi Ratio, Microphone/Line Level Input transformer  
Ratio: 1:10 or 1:20  
Gain: 18dB, 22dB  
Impedance: 50Ω : 47kΩ, 200Ω : 47kΩ,  
DC Resistance: 17Ω + 17Ω : 1400Ω  
Fitted with 150 mm flying leads  
Mu-Metal can, thread M10  
Also works oposite.