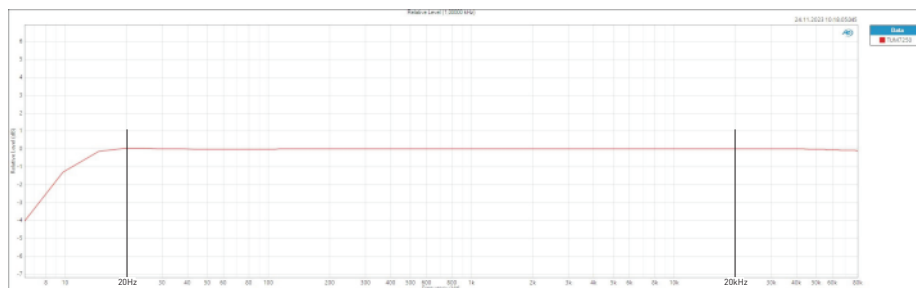
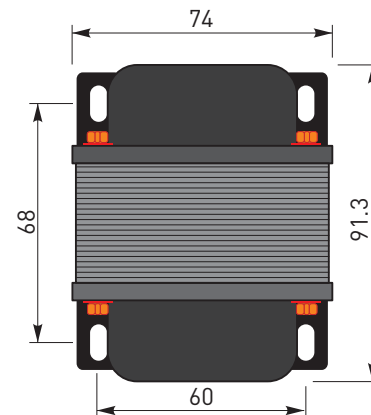
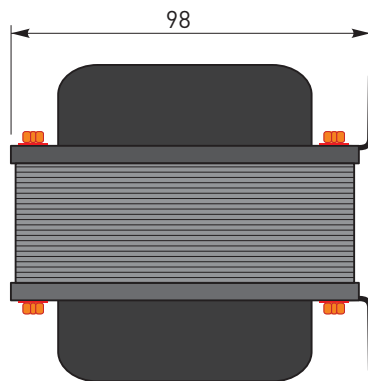
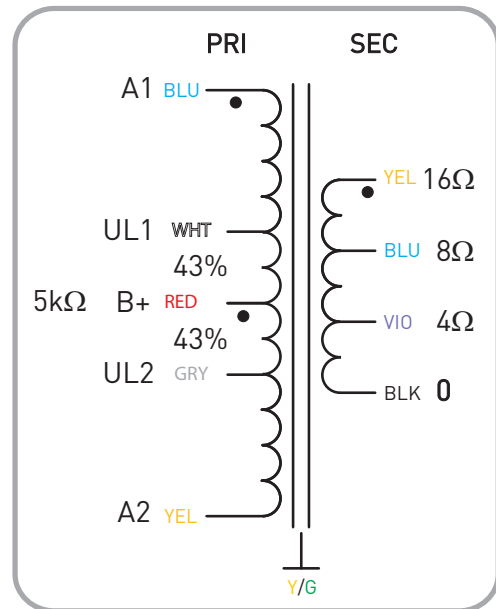
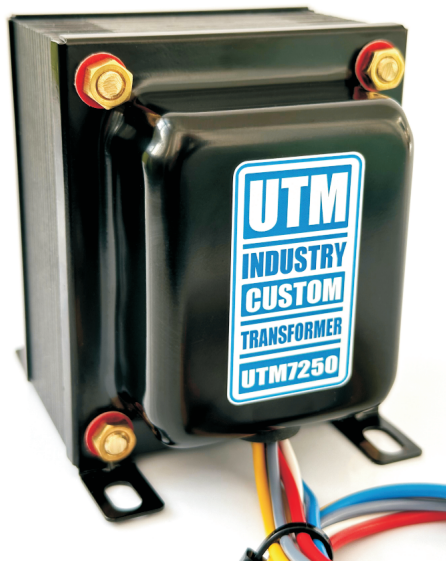


UTM INDUSTRY

Professional Audio Transformers

5k/16, 8, 4
Output



Tab. 1. Frequency response (Audio Precision™)

Hi Performance, Push-Pull, Ultralinear, 5k:16Ω, 8Ω or 4Ω, Ungapped Audio Transformer

Ratio: 18:1, 25:1 or 35:1

Gain: -25dB, -28dB or -31dB

Ultralinear Tap: 43%

Input Impedance: 5kΩ,

Output Impedance: 16Ω, 8Ω or 4Ω,

Primary DC Resistance: 78Ω + 78Ω

Secondary DC Resistance: <0.7Ω

Fitted with 150 mm flying leads

E186, Vertical

UTM Industry, made & designed in Europe
All Right Reserved. 2001 - 2023

UTM7250
utmindustry.com

Rev. 1.1. 24.11.2023